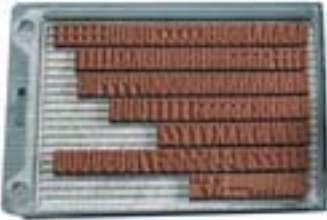


Universal RIBtype® Rubber Type Sets, Logo Dies & Style Charts

Universal's interchangeable RIBtype® rubber type, is available in a variety of sizes & styles to fit most rib base coders and marking machines. Letter & number assortment sets contain letters, numbers, punctuation marks and currency symbols. The quantity of letters in these sets are based on frequency of use for example more A's & E's than Q's & Z's. Number assortment sets contain numbers, punctuation marks and currency symbols.



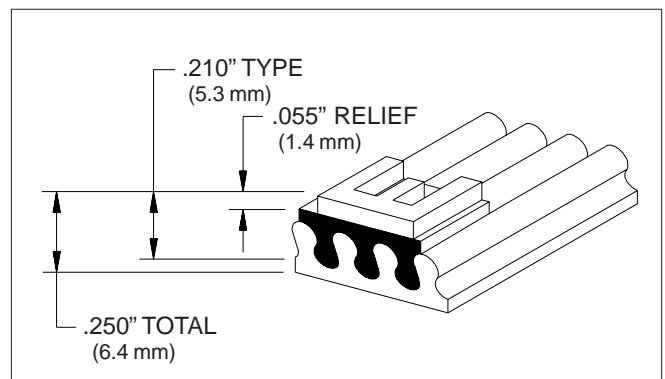
"5A" & "3A" sets include a variety of letters, numbers, punctuation and currency symbols.

"5F" & "4F" figure sets include either 5 or 4 of each number 0-9 along with punctuation and currency symbols.

"15FS" & "12FS" super number sets offer the most economical way to buy "F" sets. Each "FS" set contains 3 times the quantity of characters in a "F" figure set at about 2-1/2 times the cost.

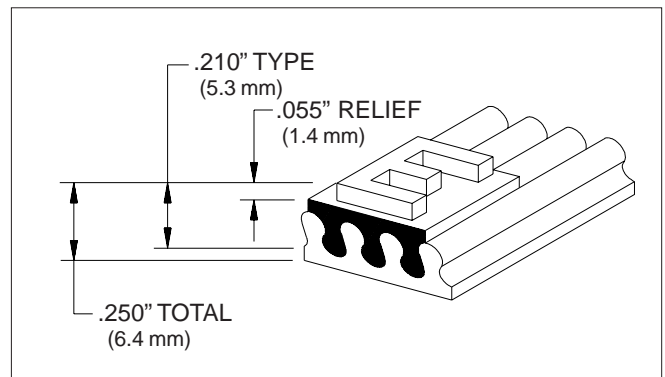
STANDARD (HORIZONTAL) RUBBER TYPE

Standard ribbed rubber type is manufactured to a nominal thickness of .210" with a thickness tolerance of +/- .003". We guarantee it! We also guarantee the alignment of our type will meet the same exacting tolerances. With standard rubber type, lines of text run parallel to the ribs on a coder drum as indicated on the diagram to the right.



VERTICAL RUBBER TYPE

Vertical rubber type logos and single sort characters are manufactured to the same exacting tolerances as standard rubber type. A vertical rib orientation is used when the printed code needs to read from top to bottom or bottom to top. The rib backing on these dies runs perpendicular to the line of text as indicated on the diagram to the right.



"Single Line Logotype" is a single line of characters molded in one piece such as a word or code and provides superior quality impressions over combinations of single characters because of uniform typeface wear. They also save time and minimize costly spelling and coding errors.

"Multiple Line Mats" are two or more lines of text on a single piece. When only part of the text changes, a hole or notch can be cut out of the die and a logo or individual characters can easily be inserted.

"Sorts" are single letters, numbers or punctuation marks and can be custom made in any quantity.

"Mirror Image Type" is a "mirror" image of normal text and is used in offset equipment when the type does not print directly on the object. It is also used when printing on the inside of clear packaging.



Universal Stenciling & Marking Systems, Inc.

P.O. Box 871 - St. Petersburg, FL 33731 - U.S.A.

Ph: (727) 894-3027 Fax: (727) 821-7944 E-Mail: sales@universal-marking.com Website: www.universal-marking.com

G STYLE

RIBTYPE

BOLD CONDENSED

STYLE & SIZE	TYPESTYLE SAMPLE	TYPE FACE HEIGHT	NO. OF RIBS	LETTER & NUMBER ASSORTMENT		"F" NUMBER ASSORTMENT		"FS" NUMBER ASSORTMENT	
				SET	STK. #	SET	STK. #	SET	STK. #
G73	RIBTYPE12	1/4" 6.35 MM	2	5A	UR-G73	4F	UR-G73F	12FS	UR-G73FS
G74	RIBTY3	5/16" 7.94 MM	3	5A	UR-G74	4F	UR-G74F	12FS	UR-G74FS
G75	RIB4	3/8" 9.53 MM	3	5A	UR-G75	4F	UR-G75F	12FS	UR-G75FS
G76	RB3	1/2" 12.7 MM	4	5A	UR-G76	4F	UR-G76F	12FS	UR-G76FS
G77	RIB	5/8" 15.9 MM	5	5A	UR-G77	4F	UR-G77F	12FS	UR-G77FS
G78	RT	3/4" 19.0 MM	6	5A	UR-G78	4F	UR-G78F	12FS	UR-G78FS
G79	RI	15/16" 23.8 MM	7	3A	UR-G79	4F	UR-G79F	12FS	UR-G79FS

THE CHART BELOW SHOWS THE CONTENTS OF THE G STYLE TYPE SETS

CHARACTERS	A	B	C	D	E	F	G	H	I	J	K	L	M	N	O	P	Q	R	S	T	U	V	W	X	Y	Z	1	2	3	4	5	6	7	8	9	0	.	,	-	&	\$	'	/	¢	TOTAL PIECES																							
5A SETS	5	4	5	4	6	4	4	4	5	2	2	5	3	5	5	4	2	5	5	5	3	2	3	2	3	2	3	2	2	2	2	2	2	2	2	3	4	4	3	1	1	2			136																							
3A SETS	3	2	3	2	4	2	2	2	3	2	1	2	2	3	3	2	1	3	3	3	2	2	2	1	2	1	3	2	2	2	2	2	2	2	2	3	4	3	4	1	1	1			94																							
4F Number Assortment - For Styles G73 thru G79																											4	4	4	4	4	4	4	4	4	4	4	4	4	4	4	4	4	4	4	4	4	4	4	4	4	4	4	4	4	4	4	4	4	2	1	2	1		2	1	49	
12FS Super Number Assortment - For Styles G73 thru G79																											12	12	12	12	12	12	12	12	12	12	12	12	12	12	12	12	12	12	12	12	12	12	12	12	12	12	12	12	12	12	12	12	12	12	6	3	6	3		6	3	147

**G STYLE
LARGE CHARACTERS**

RIBTYPE

BOLD CONDENSED

STYLE & SIZE	TYPESTYLE SAMPLE	TYPE FACE HEIGHT	NO. OF RIBS	LETTER & NUMBER ASSORTMENT		"F" NUMBER ASSORTMENT		"FS" NUMBER ASSORTMENT	
				SET	STK. #	SET	STK. #	SET	STK. #
G80	B1	1-1/4" 31.75 MM	10	3A	UR-G80	4F	UR-G80F	-----	-----
G81	B1	1-1/2" 38.10 MM	12	3A	UR-G81	4F	UR-G81F	-----	-----
G82	B	1-3/4" 44.45 MM	14	3A	UR-G82	4F	UR-G82F	-----	-----
G83	B	2" 50.80 MM	17	3A	UR-G83	4F	UR-G83F	-----	-----

THE CHART BELOW SHOWS THE CONTENTS OF THE G STYLE TYPE SETS

CHARACTERS	A	B	C	D	E	F	G	H	I	J	K	L	M	N	O	P	Q	R	S	T	U	V	W	X	Y	Z	1	2	3	4	5	6	7	8	9	0	.	,	-	&	\$	'	/	¢	TOTAL PIECES
3A SETS	3	2	3	2	4	2	2	2	3	2	1	2	2	3	3	2	1	3	3	3	2	2	2	1	2	1	3	2	2	2	2	2	2	2	3	4	3	4	1	1	1			94	
4F Number Assortment - For Styles G80 thru G83																											4	4	4	4	4	4	4	4	4	4	2	1	2	1	2	1	49		