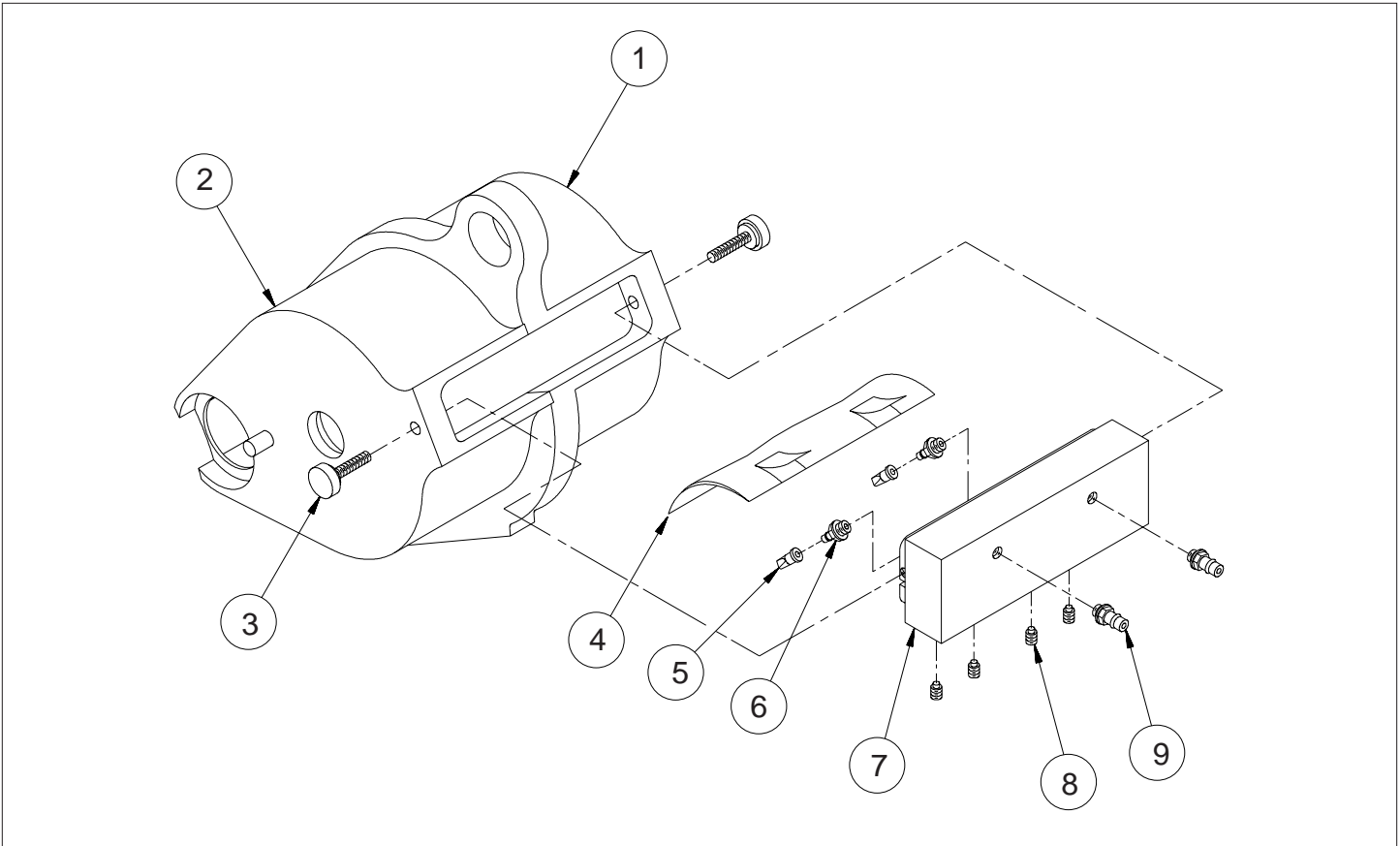


May 19, 2022

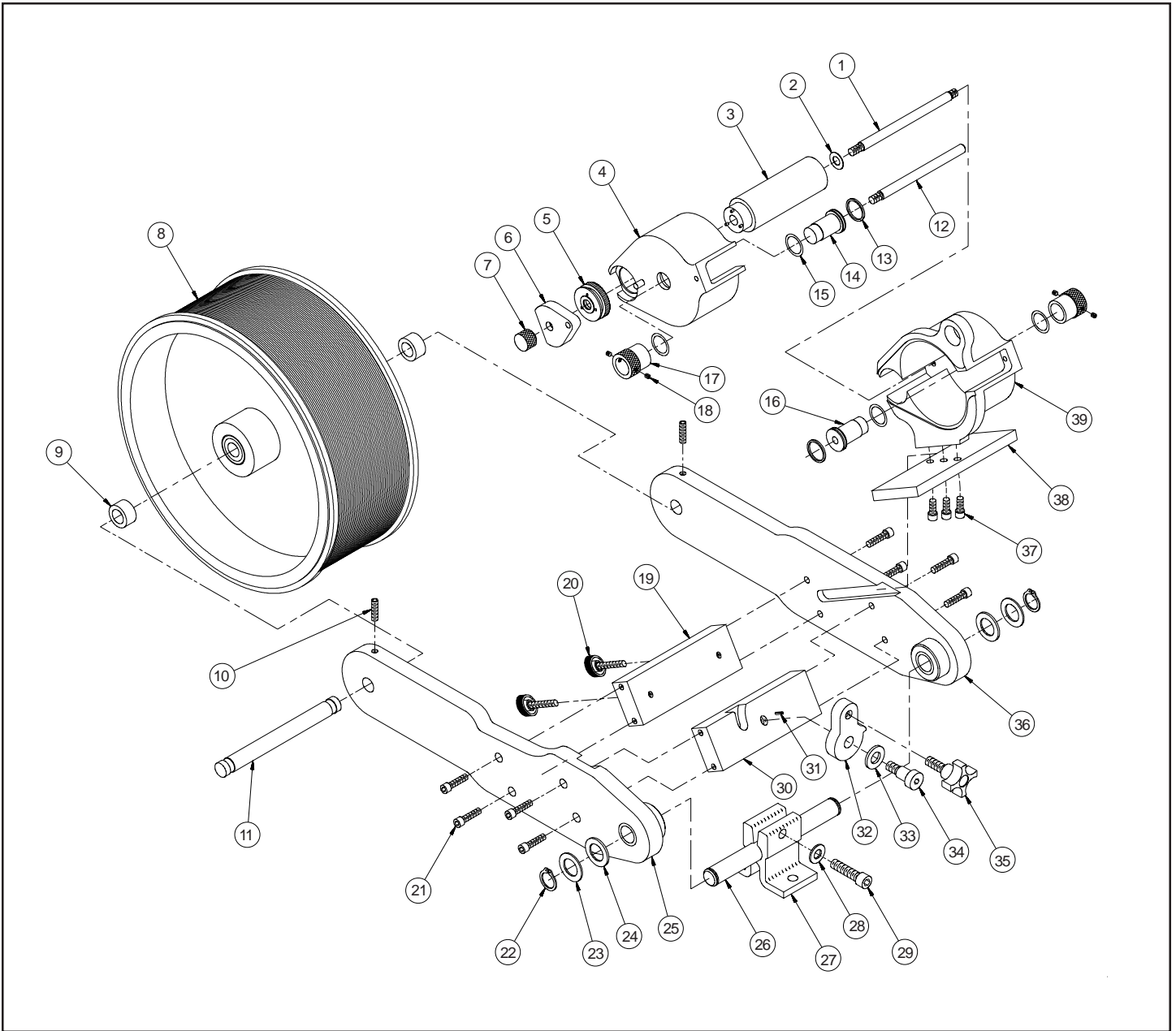
WPNP PIDS WIPER COMPONENTS ASSEMBLY



WPNP PIDS WIPER COMPONENTS PARTS LIST

KEY NO.	PART NUMBER	QTY. REQD.	DESCRIPTION
1	PIDS-59	1	WPNP INKING SYSTEM COVER, STATIONARY
2	PIDS-60	1	WPNP INKING SYSTEM COVER, REMOVABLE
3	PIDS-TSA	2	WPNP THUMB SCREW ASSEMBLY
4	PIDS-57	1	PLASTIC WIPER, WPNP 4"
5	PIDS-16	2	CHECK VALVE, DUCK BILL
6	MRM-PC-69	2	10-32 BARB FITTING X 1/16" I.D. TUBE
7	PIDS-58	1	WPNP WIPER BLOCK
8	CF-05	4	NYLON TIP SET SCREW, 8-32 THREAD
9	MRM-PC-70	2	10-32 BARB FITTING X 1/8" I.D. TUBE
4 - 9	WPNP-WA4	1	4" WIPER ADAPTER ASSEMBLY

WPNP-400NI-12-PIDS NON-POROUS WEB PRINTER ASSEMBLY



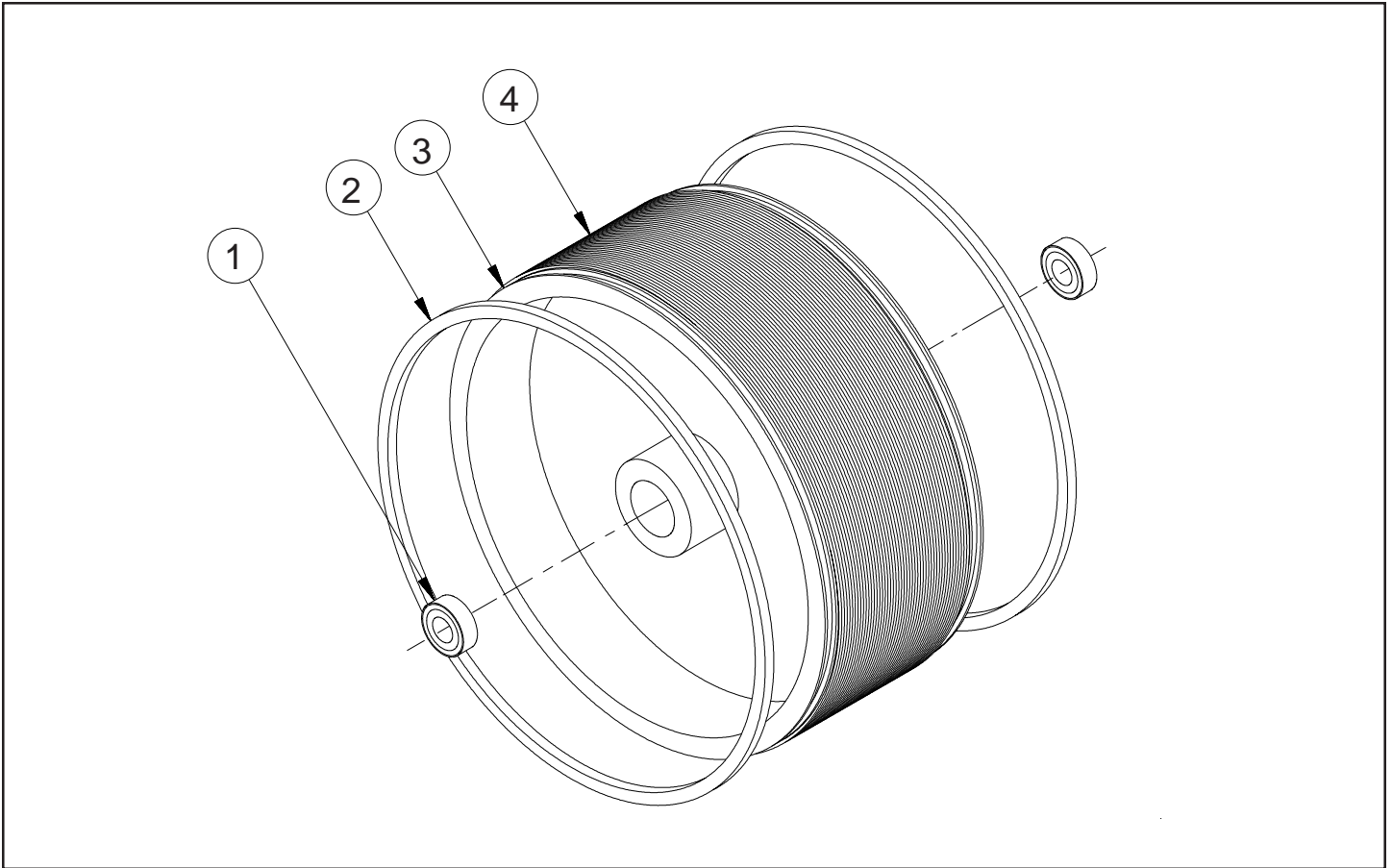
WPNP-400NI-12-PIDS NON-POROUS WEB PRINTER PARTS LIST

KEY NO.	PART NUMBER	QTY. REQD.	DESCRIPTION
1	WPNP-009	1	4" TRANSFER ROLL AXLE
2	HP-04	1	3/8" BRASS, FLAT WASHER
3	WPNP-TRA-4	1	4" TRANSFER ROLL ASSEMBLY
4	PIDS-60	1	WPNP INKING SYSTEM COVER, REMOVABLE
5	NP-14	1	KNURLED DRIVE WHEEL W/DELRIIN WASHER

WPNP-400NI-12-PIDS NON-POROUS WEB PRINTER PARTS LIST

6	WPNP-011	1	DRIVE WHEEL COVER
7	NP-17	1	COVER RETAINING KNOB
8	WPNP-400NI-12-PDA	1	PRINT DRUM ASSEMBLY - STANDARD
	WPNP-400NI-12-PDA-T		PRINT DRUM ASSEMBLY - METRIC
	WPNP-400NI-12-PDA-D		PRINT DRUM ASSEMBLY - DIGITAL
	WPNP-400NI-12-PDA-T-D		PRINT DRUM ASSEMBLY - METRIC, DIGITAL
9	WPNP-022	2	PRINT DRUM DELRIN AXLE SPACER
10	WPNP-020	2	SET SCREW - 1/4-20 X 1.00" LG.
11	WPNP-021	1	4" PRINT DRUM AXLE
12	WPNP-038	1	4" INK ROLL AXLE
13	NP-21	2	O-RING, ECCENTRIC
14	NP-20C	1	ECCENTRIC, INK ROLL
15	HP-42	4	DELRIN WASHER
16	WPNP-039	1	ECCENTRIC, INK ROLL (MODIFIED)
17	NP-19	2	ECCENTRIC KNURLED KNOB
18	HP-06	4	SET SCREW, 8-32 X 3/16"
19	WPNP-014	1	JOINING BAR "A"
20	WPNP-PAK	2	POSITION ADJUSTING KNOB
21	CR-13	8	SCREW, 1/4-20 X 1.0" SHC
22	CF-13	2	SNAP RING FOR 3/4" SHAFT
23	CW-01	2	3/4" STEEL FLAT WASHER
24	CW-05	2	3/4" NYLON FLAT WASHER
25	WPNP-SFB	1	SIDE FRAME "B"
26	WPNP-025	1	MOUNTING SHAFT
27	CM-17	1	BRACKET, MOUNTING COLUMN
28	CW-02	1	3/8" STEEL FLAT WASHER
29	CF-09	1	SCREW, 3/8-16 X 1-1/2" SHC
30	WPNP-015	1	JOINING BAR "B"
31	CR-16	1	COMPRESSION PIN
32	WPNP-016	1	PIVOT LOCK
33	WPNP-032	1	DELRIN LATCH WASHER
34	WPNP-019	1	PIVOT LOCK SHOULDER SCREW
35	WPNP-LKA	1	LOCK KNOB ASSEMBLY
36	WPNP-SFA	1	SIDE FRAME "A"
	WPNP-SFA-D		SIDE FRAME "A", DIGITAL
37	MC-02	3	SCREW, 1/4-20 X 5/8" LG. SHC
38	WPNP-029	1	INKING SYSTEM MOUNTING PLATE
39	PIDS-59	1	WPNP INKING SYSTEM COVER, STATIONARY

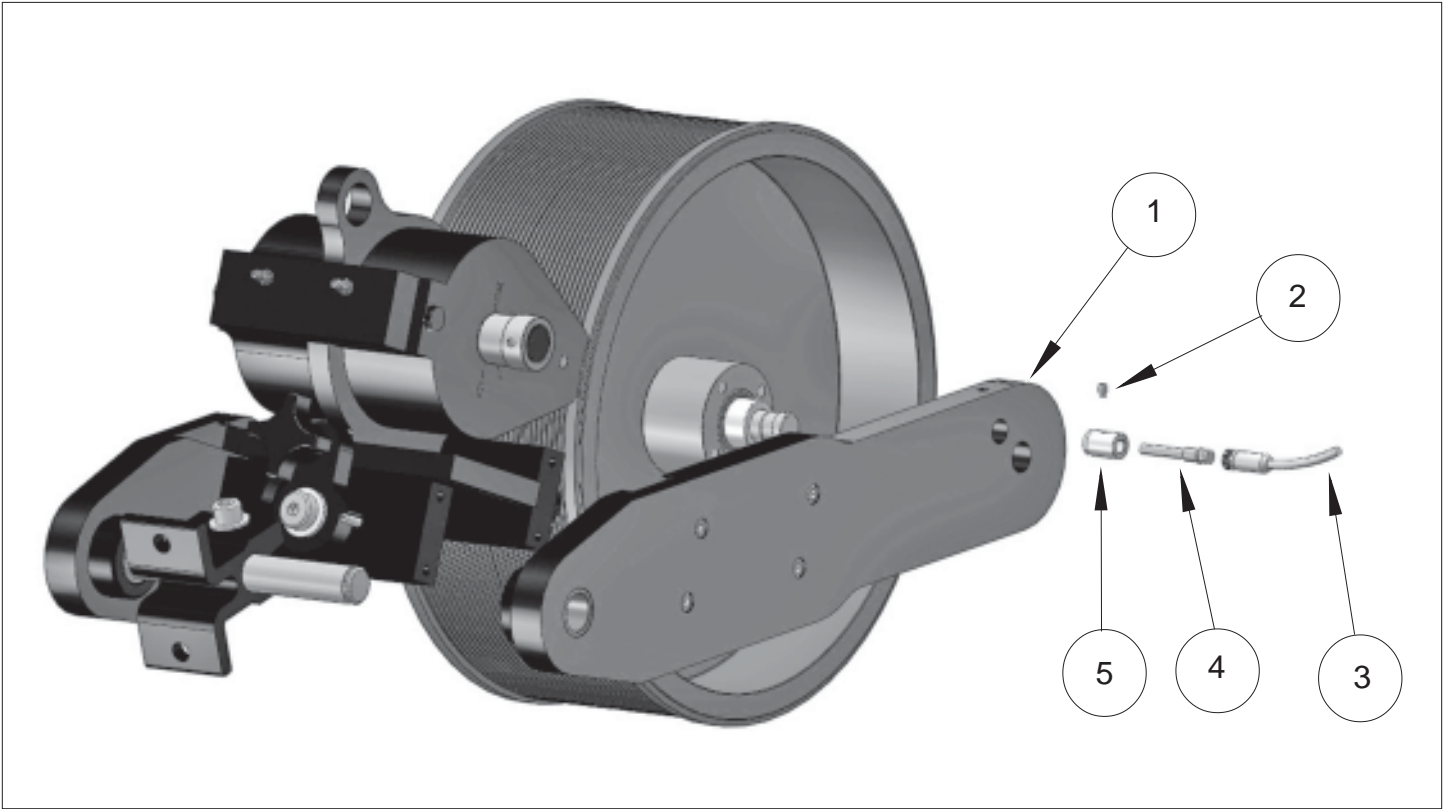
**WPNP-400NI-12-PDA SERIES NON-POROUS WEB PRINTER
PRINT DRUM ASSEMBLY**



**WPNP-400NI-12-PDA SERIES NON-POROUS WEB PRINTER
PRINT DRUM PARTS LIST**

KEY NO.	PART NUMBER	QTY. REQD.	DESCRIPTION
1	CB-04	2	BEARING, PRINT DRUM
2	WPNP-034	2	O-RING, P.D. BEARER (SQUARE CUT)
3	PRINT DRUMS ONLY AVAILABLE IN COMPLETE PRINT DRUM ASSEMBLIES. SEE PAGES 2 & 3 (KEY 8)		
4	WPNP-037	1	RItype® RING
	WPNP-037T		RItype® RING, METRIC

**WPNP-400NI-12-PIDS-D & WPNP-400NI-12T-PIDS-D ASSEMBLY
NON-POROUS WEB PRINTERS DIGITAL MODELS ONLY**



**WPNP-400NI-12-PIDS-D & WPNP-400NI-12T-PIDS-D PARTS LIST
NON-POROUS WEB PRINTERS DIGITAL MODELS ONLY**

KEY NO.	PART NUMBER	QTY. REQD.	DESCRIPTION
1	WPNP-SFB-D	1	SIDE FRAME B ASSEMBLY - DIGITAL
2	CF-05	1	NYLON TIP SET SCREW
3	MRM-EC-206	1	CABLE, INDUCTIVE PROXIMITY SENSOR-3 METER
4	MRM-EC-208	1	INDUCTIVE PROXIMITY SENSOR
5	WPNP-042	1	SENSOR INSULATOR BUSHING

NON-POROUS WPNP WEB PRINTER REPLACEMENT INK ROLLS



NON-POROUS WPNP WEB PRINTER REPLACEMENT INK ROLL PARTS LIST

STOCK NO.	DESCRIPTION
WPNP-XC4	4" - WPNP XF NEOPRENE INK ROLL - DRY
WPNP-XC4-P1	4" - WPNP XF NEOPRENE INK ROLL - BLACK
WPNP-XC4-P2	4" - WPNP XF NEOPRENE INK ROLL - RED
WPNP-XC4-P3	4" - WPNP XF NEOPRENE INK ROLL - GREEN
WPNP-XC4-P4	4" - WPNP XF NEOPRENE INK ROLL - BLUE
WPNP-XC4-P5	4" - WPNP XF NEOPRENE INK ROLL - YELLOW
WPNP-XC4-P6	4" - WPNP XF NEOPRENE INK ROLL - WHITE
WPNP-XC4-P9	4" - WPNP XF NEOPRENE INK ROLL - VIOLET

Note: Ink rolls must be pre-inked before use, once the ink is depleted from the roll, the roll can be taken off the printer and re-inked for extended use. To determine the type of ink to use, please contact customer service.

Universal Stenciling & Marking Systems, Inc.

P.O. Box 871 - St. Petersburg, FL 33731 - U.S.A.
Ph: (727) 894-3027 - E-Mail: sales@universal-marking.com
Website: www.universal-marking.com