

**UNIVERSAL POROUS MIDSIZE CODERS
MS-120, MS-150, MS-180, MS-220, MS-250 & MS-280 SERIES
INDEXING & NON-INDEXING**

MIDSIZE TOP MOUNT RESERVOIR ROLL COVER

TOP MOUNT RESERVOIR ROLL COVER

Top Mount Reservoir Roll Covers are mounting configuration specific. Top Mount Covers are available in both Right Hand & Left Hand versions.



RIGHT HAND TOP MOUNT ROLL COVER

MIDSIZE TOP MOUNT RESERVOIR ROLL COVER PARTS LIST

PART NUMBER	QTY. REQD.	DESCRIPTION
MS-RRC1-RT	1	RIGHT TOP MOUNT RESERVOIR ROLL COVER - FOR MS-120, MS-150 & MS-180
MS-RRC1-LT		LEFT TOP MOUNT RESERVOIR ROLL COVER - FOR MS-120, MS-150 & MS-180
MS-RRC2-RT	1	RIGHT TOP MOUNT RESERVOIR ROLL COVER - FOR MS-220, MS-250 & MS-280
MS-RRC2-LT		LEFT TOP MOUNT RESERVOIR ROLL COVER - FOR MS-220, MS-250 & MS-280

MIDSIZE SIDE MOUNT RESERVOIR ROLL COVER

SIDE MOUNT RESERVOIR ROLL COVER

Side Mount Reservoir Roll Covers are *not* mounting configuration specific. The same Side Mount Covers can be used for both Right Hand & Left Hand coder models.

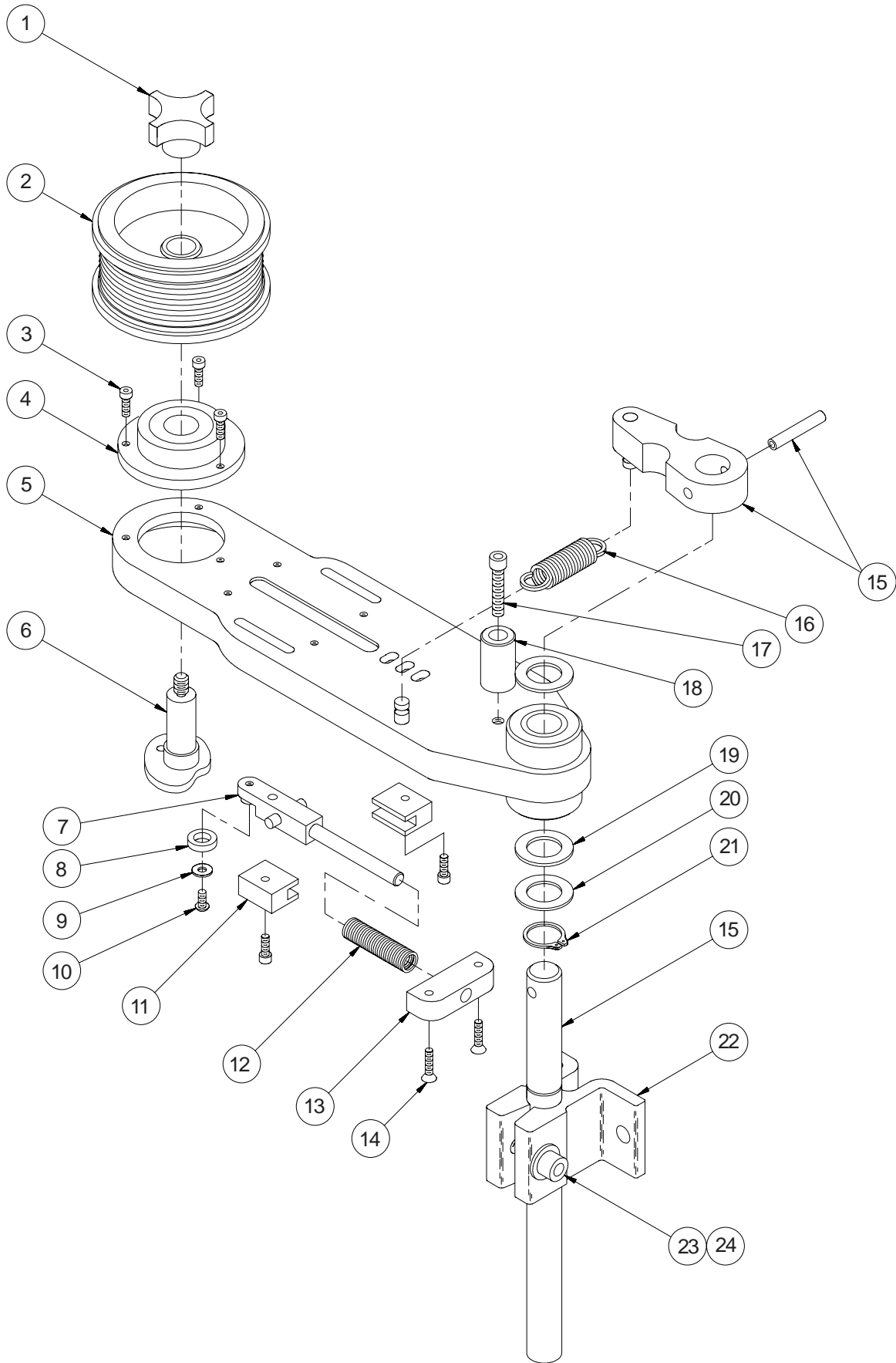


SIDE MOUNT ROLL COVER

MIDSIZE SIDE MOUNT RESERVOIR ROLL COVER PARTS LIST

PART NUMBER	QTY. REQD.	DESCRIPTION
MS-RRC1	1	SIDE MOUNT RESERVOIR ROLL COVER - FOR MS-120, MS-150 & MS-180
MS-RRC2	1	SIDE MOUNT RESERVOIR ROLL COVER - FOR MS-220, MS-250 & MS-280

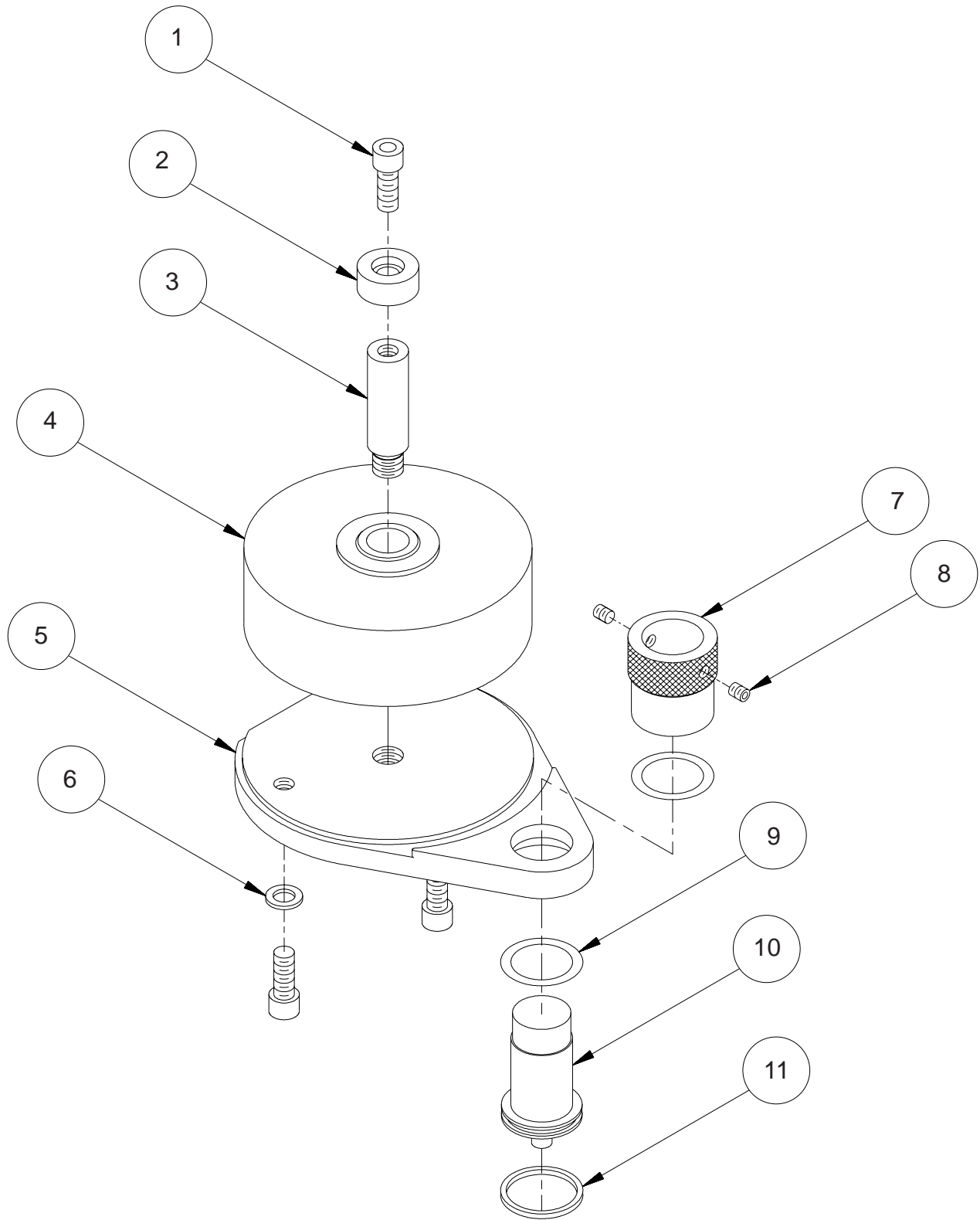
POROUS MIDSIZE CODER ASSEMBLY



POROUS MIDSIZE CODER PARTS LIST

KEY NO.	PART NUMBER	QTY. REQD.	DESCRIPTION
1	MRM-CL20	1	KNOB, PRINT DRUM
2	MSC-120-PDA	1	MS-120 POROUS PRINT DRUM ASSEMBLY
	MSC-150-PDA		MS-150 POROUS PRINT DRUM ASSEMBLY
	MSC-180-PDA		MS-180 POROUS PRINT DRUM ASSEMBLY
	MSC-220-PDA		MS-220 POROUS PRINT DRUM ASSEMBLY
	MSC-250-PDA		MS-250 POROUS PRINT DRUM ASSEMBLY
	MSC-280-PDA		MS-280 POROUS PRINT DRUM ASSEMBLY
	MSC-120-PDA-T		MS-120 POROUS PRINT DRUM ASSEMBLY, METRIC
	MSC-150-PDA-T		MS-150 POROUS PRINT DRUM ASSEMBLY, METRIC
	MSC-180-PDA-T		MS-180 POROUS PRINT DRUM ASSEMBLY, METRIC
	MSC-220-PDA-T		MS-220 POROUS PRINT DRUM ASSEMBLY, METRIC
	MSC-250-PDA-T		MS-250 POROUS PRINT DRUM ASSEMBLY, METRIC
	MSC-280-PDA-T		MS-280 POROUS PRINT DRUM ASSEMBLY, METRIC
	3		MS-36
3		SCREW, 8-32 X 1/2" SHC (FOR NON-INDEXING MODELS)	
4	MSC-BHA	1	BEARING & HUB ASSEMBLY
5	MSC-BPA	1	BASEPLATE ASSEMBLY
6	MSC-ACA	1	AXLE & CAM ASSEMBLY (FOR INDEXING MODELS)
	MS-28		AXLE, PRINT DRUM (FOR NON-INDEXING MODELS)
7	MSC-CFA	1	CAM FOLLOWER ASSEMBLY
8	MS-18	1	BEARING, CAM FOLLOWER
9	MS-32	1	#8 FLAT WASHER
10	MS-33	1	SCREW, 8-32 X 3/8" BHS
11	MS-04	2	GUIDE, CAM FOLLOWER
12	MS-30	1	COMPRESSION SPRING
	MC-36	1	COMPRESSION SPRING - FOR MS-180 & MS-280 CODERS ONLY
13	MS-01	1	GUIDE, COMPRESSION SPRING SHAFT
14	MS-35	2	SCREW, 8-32 X 3/4" FHS
15	MSC-MCA	1	MOUNTING COLUMN ASSEMBLY
16	MS-31	1	TENSION ARM SPRING
17	CF-02	1	SCREW, 1/4-20 X 1-1/4" SHC
18	MS-15	1	STOP, SPRING TENSION ARM
19	CW-05	2	3/4" NYLON FLAT WASHER
20	CW-01	1	3/4" STEEL FLAT WASHER
21	CF-13	1	SNAP RING, 3/4" DIAMETER
22	CM-17	1	MOUNTING BRACKET
23	CF-09	1	SCREW, 3/8-16 X 1-1/2" SHC
24	CW-02	1	3/8" STEEL FLAT WASHER

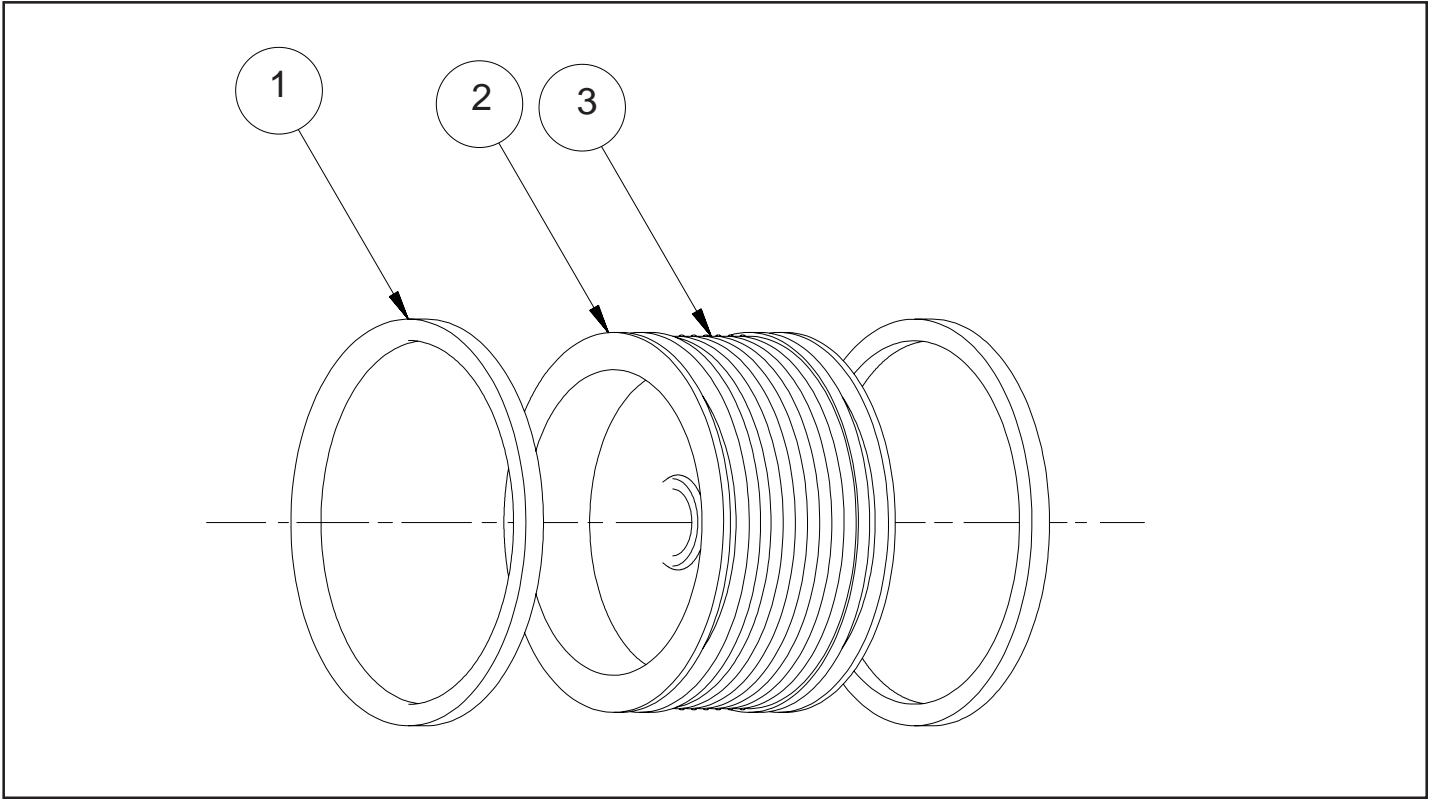
POROUS MIDSIZE CODER INKING SYSTEM ASSEMBLY



POROUS MIDSIZE CODER INKING SYSTEM PARTS LIST

KEY NO.	PART NUMBER	QTY. REQD.	DESCRIPTION
1	MC-02	3	SCREW, 1/4-20 X 5/8" SHC
2	CM-01	1	AXLE CAP
3	MS-09	1	AXLE, 1-1/8" INK ROLL
	MS-55		AXLE, 2" INK ROLL
4	MS-MC1	1	1-1/8" MICROCELL INK ROLL
	MS-XC1		1-1/8" XF NEOPRENE INK ROLL
	MS-MC2		2" MICROCELL INK ROLL
	MS-XC2		2" XF NEOPRENE INK ROLL
5	MS-07	1	BASEPLATE, POROUS INKING SYSTEM
6	MS-29	2	DELTRIN WASHER, MS INKING SYSTEM
7	NP-19	1	ECCENTRIC KNURLED KNOB
8	HP-06	2	SET SCREW, 8-32 X 3/16" CPS
9	HP-42	2	DELTRIN WASHER
10	MSC-ISEA	1	ECCENTRIC ASSEMBLY
11	NP-21	1	O-RING, ECCENTRIC

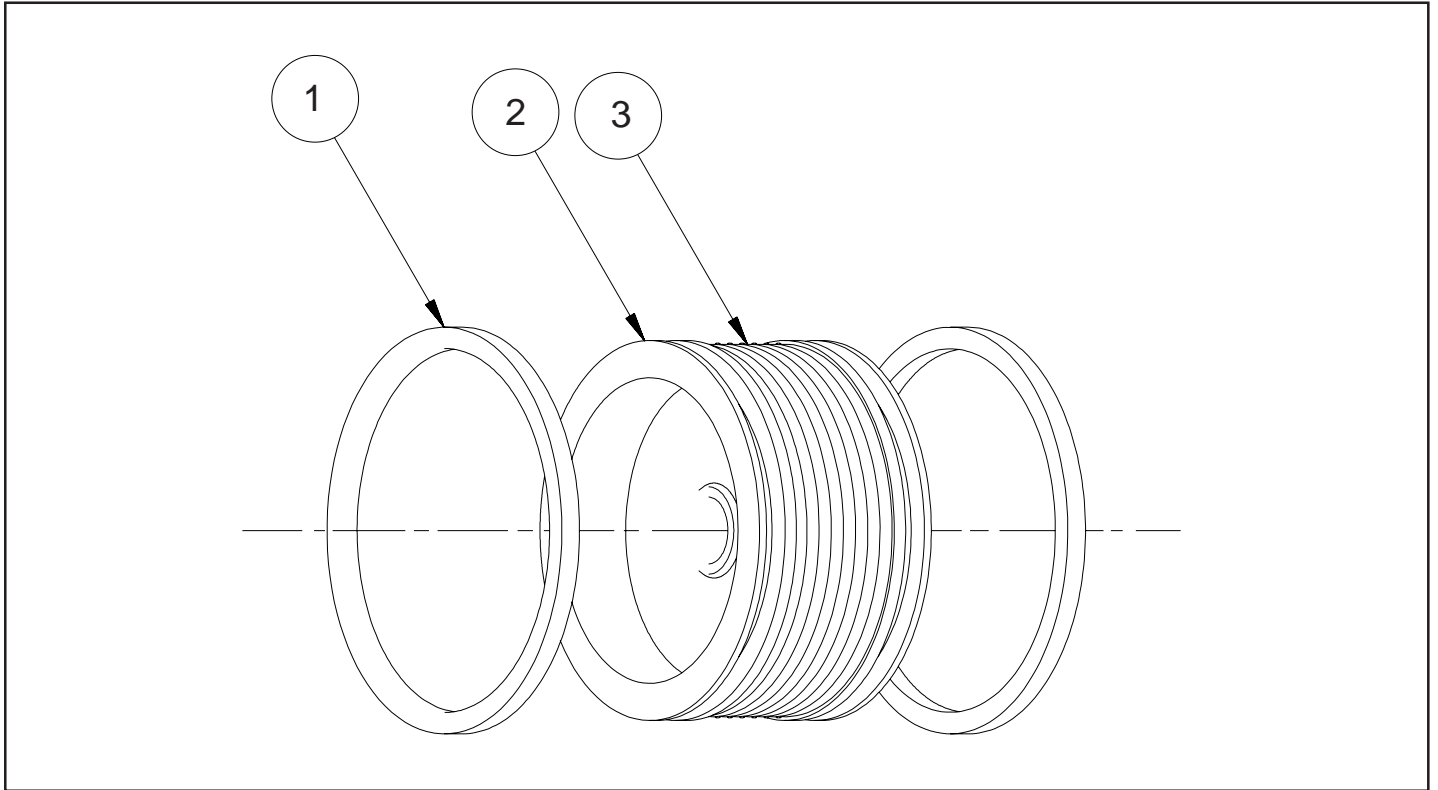
POROUS MIDSIZE CODER 1-1/8" PRINT DRUM ASSEMBLY



POROUS MIDSIZE CODER 2" PRINT DRUM PARTS LIST

KEY NO.	PART NUMBER	QTY. REQD.	DESCRIPTION
1	MS-20	2	BEARER RING, MS-120
	MS-21		BEARER RING, MS-150
	CO-02S		BEARER RING, MS-180
2	PRINT DRUMS ONLY AVAILABLE IN COMPLETE PRINT DRUM ASSEMBLIES. SEE PAGES 2 & 3 (KEY 2)		
3	MS-11	1	RIBtype® RING, NON-POROUS MS-120
	MS-12		RIBtype® RING, NON-POROUS MS-150
	CLP-BL1		RIBtype® RING, NON-POROUS MS-180
	MS-11T		RIBtype® RING, NON-POROUS MS-120 - METRIC
	MS-12T		RIBtype® RING, NON-POROUS MS-150 - METRIC
	CLP-BL1T		RIBtype® RING, NON-POROUS MS-180 - METRIC

POROUS MIDSIZE CODER 2" PRINT DRUM ASSEMBLY



POROUS MIDSIZE CODER 2" PRINT DRUM PARTS LIST

KEY NO.	PART NUMBER	QTY. REQD.	DESCRIPTION
1	MS-20	2	BEARER RING, MS-220
	MS-21		BEARER RING, MS-250
	CO-02S		BEARER RING, MS-280
2	PRINT DRUMS ONLY AVAILABLE IN COMPLETE PRINT DRUM ASSEMBLIES. SEE PAGES 2 & 3 (KEY 2)		
3	MS-47	1	RIBtype® RING, NON-POROUS MS-220
	MS-50		RIBtype® RING, NON-POROUS MS-250
	CLP-BL2		RIBtype® RING, NON-POROUS MS-280
	MS-47T		RIBtype® RING, NON-POROUS MS-220 - METRIC
	MS-50T		RIBtype® RING, NON-POROUS MS-250 - METRIC
	CLP-BL2T		RIBtype® RING, NON-POROUS MS-280 - METRIC

Universal Stenciling & Marking Systems, Inc.

P.O. Box 871 - St. Petersburg, FL 33731 - U.S.A.
 Ph: (727) 894-3027 - E-Mail: sales@universal-marking.com
 Website: www.universal-marking.com