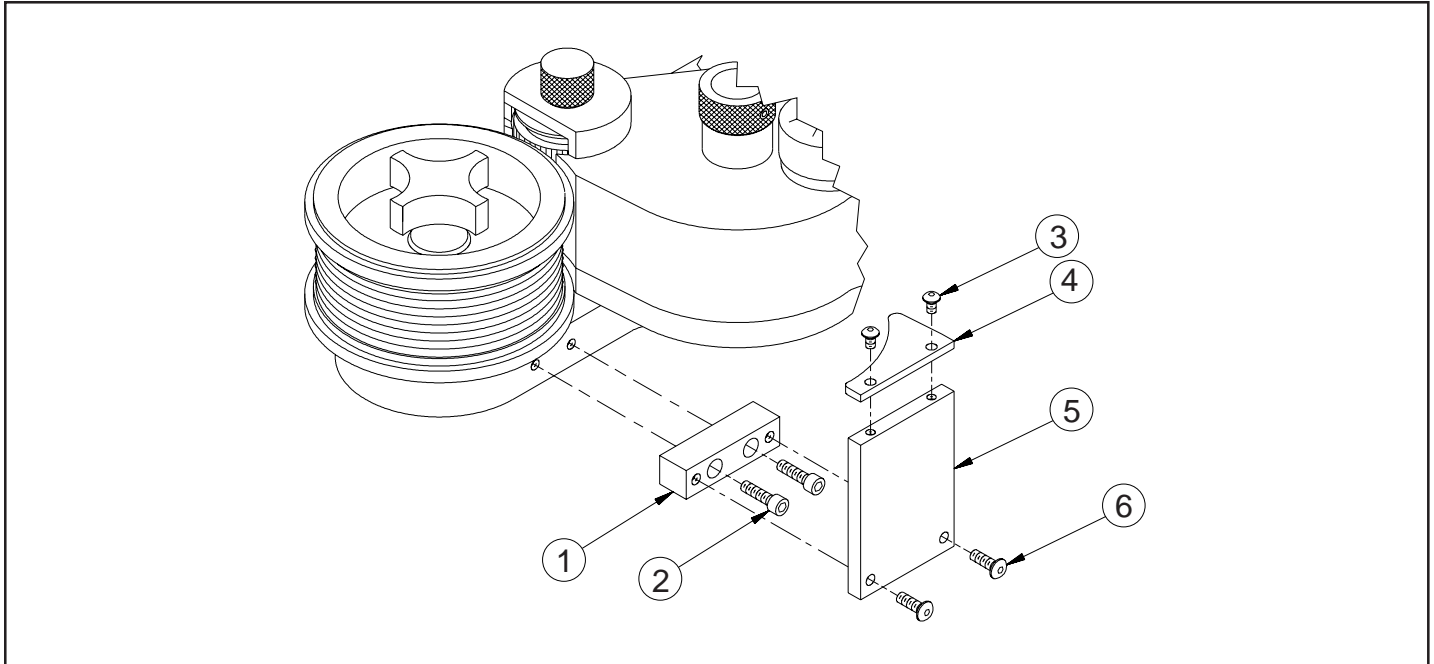


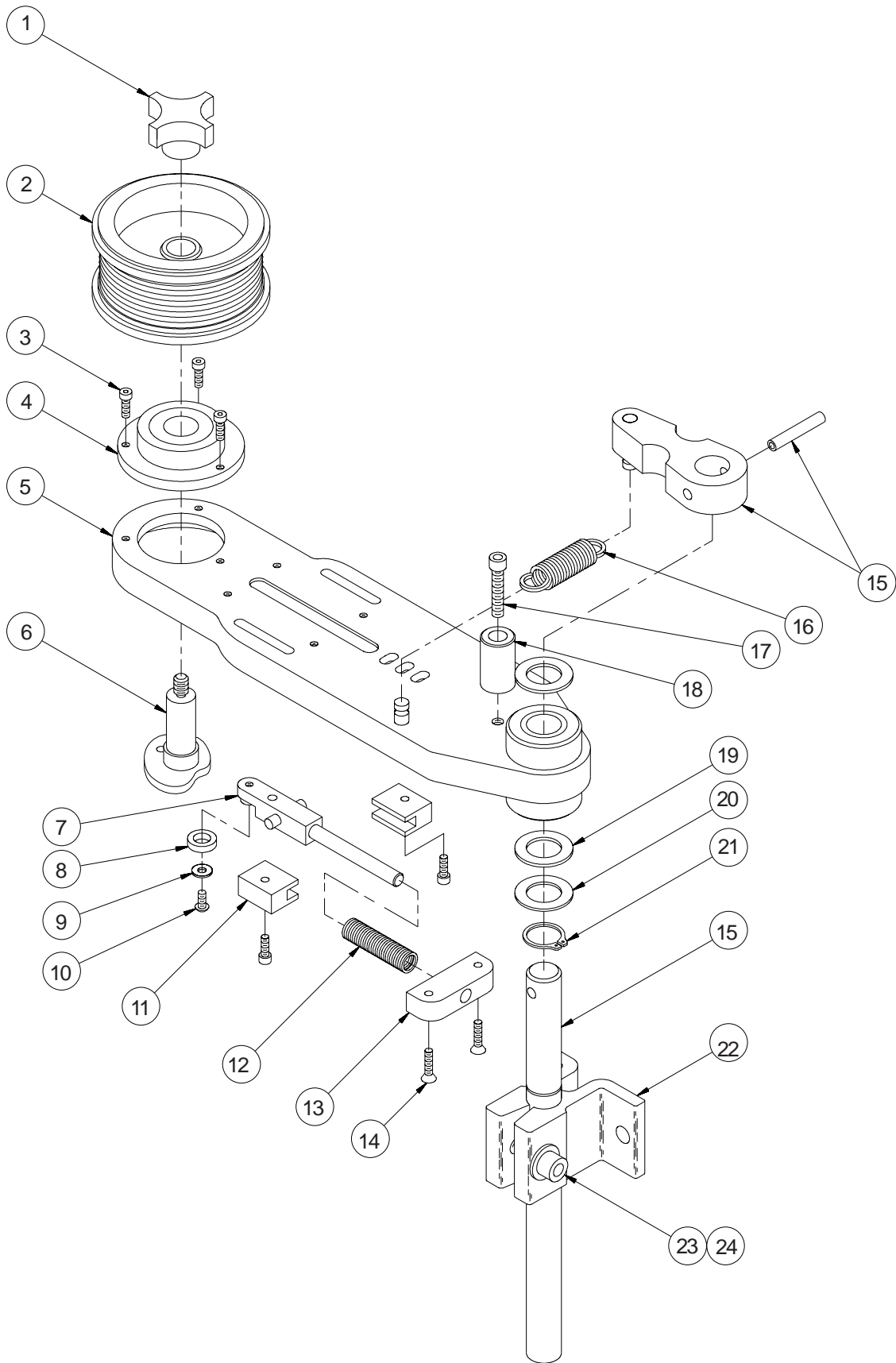
NON-POROUS MIDSIZE CODER CE GUARD ASSEMBLY



NON-POROUS MIDSIZE CODER CE GUARD PARTS LIST

KEY NO.	PART NUMBER	QTY. REQD.	DESCRIPTION
1	NP-81	1	STAND OFF, MS-120 & MS-220
	NP-76		STAND OFF, MS-150 & MS-250
	NP-85		STAND OFF, MS-180
2	NP-77	2	SCREW, 8-32 X 3/4" SHC
3	NP-66	2	SCREW, 6-32 X 1/4" BHC
4	NP-79	1	END PLATE, MS-120 & MS-220
	NP-74		END PLATE, MS-150 & MS-250
	NP-86		END PLATE, MS-180 & MS-280
5	NP-82	1	TOP PLATE, MS-120
	NP-78		TOP PLATE, MS-150
	NP-87		TOP PLATE, MS-180
	NP-80		TOP PLATE, MS-220
	NP-75		TOP PLATE, MS-250
	NP-88		TOP PLATE, MS-280
6	HP-10	2	SCREW, 8-32 X 1/2" BHC

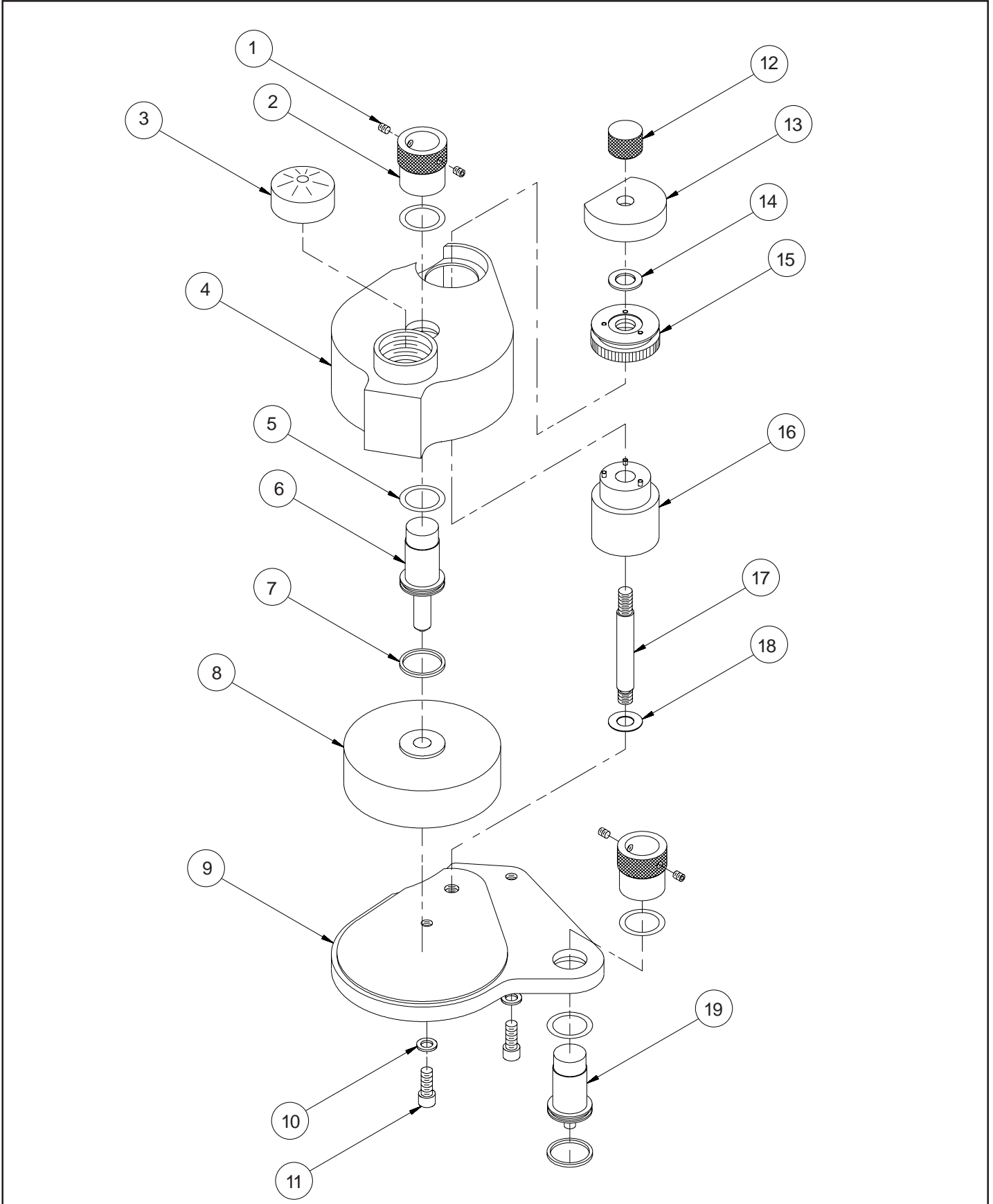
NON-POROUS MIDSIZE CODER ASSEMBLY



NON-POROUS MIDSIZE CODER PARTS LIST

KEY NO.	PART NUMBER	QTY. REQD.	DESCRIPTION
1	MRM-CL20	1	KNOB, PRINT DRUM
2	MSC-120-PDA-NP	1	MS-120 NON-POROUS PRINT DRUM ASSEMBLY
	MSC-150-PDA-NP		MS-150 NON-POROUS PRINT DRUM ASSEMBLY
	MSC-180-PDA-NP		MS-180 NON-POROUS PRINT DRUM ASSEMBLY
	MSC-220-PDA-NP		MS-220 NON-POROUS PRINT DRUM ASSEMBLY
	MSC-250-PDA-NP		MS-250 NON-POROUS PRINT DRUM ASSEMBLY
	MSC-280-PDA-NP		MS-280 NON-POROUS PRINT DRUM ASSEMBLY
	MSC-120-PDA-NT		MS-120 NON-POROUS PRINT DRUM ASSEMBLY, METRIC
	MSC-150-PDA-NT		MS-150 NON-POROUS PRINT DRUM ASSEMBLY, METRIC
	MSC-180-PDA-NT		MS-180 NON-POROUS PRINT DRUM ASSEMBLY, METRIC
	MSC-220-PDA-NT		MS-220 NON-POROUS PRINT DRUM ASSEMBLY, METRIC
	MSC-250-PDA-NT		MS-250 NON-POROUS PRINT DRUM ASSEMBLY, METRIC
	MSC-280-PDA-NT		MS-280 NON-POROUS PRINT DRUM ASSEMBLY, METRIC
	3		MS-36
3		SCREW, 8-32 X 1/2" SHC (FOR NON-INDEXING MODELS)	
4	MSC-BHA	1	BEARING & HUB ASSEMBLY
5	MSC-BPA	1	BASEPLATE ASSEMBLY
6	MSC-ACA	1	AXLE & CAM ASSEMBLY (FOR INDEXING MODELS)
	MS-28		AXLE, PRINT DRUM (FOR NON-INDEXING MODELS)
7	MSC-CFA	1	CAM FOLLOWER ASSEMBLY
8	MS-18	1	BEARING, CAM FOLLOWER
9	MS-32	1	#8 FLAT WASHER
10	MS-33	1	SCREW, 8-32 X 3/8" BHS
11	MS-04	2	GUIDE, CAM FOLLOWER
12	MS-30	1	COMPRESSION SPRING - FOR MS-120, MS-220, MS-150 & MS-250 CODERS
	MC-36	1	COMPRESSION SPRING - FOR MS-180 & MS-280 CODER ONLY
13	MS-01	1	GUIDE, COMPRESSION SPRING SHAFT
14	MS-35	2	SCREW, 8-32 X 3/4" FHS
15	MSC-MCA	1	MOUNTING COLUMN ASSEMBLY
16	MS-31	1	TENSION ARM SPRING
17	CF-02	1	SCREW, 1/4-20 X 1-1/4" SHC
18	MS-15	1	STOP, SPRING TENSION ARM
19	CW-05	2	3/4" NYLON FLAT WASHER
20	CW-01	1	3/4" STEEL FLAT WASHER
21	CF-13	1	SNAP RING, 3/4" DIAMETER
22	CM-17	1	MOUNTING BRACKET
23	CF-09	1	SCREW, 3/8-16 X 1-1/2" SHC
24	CW-02	1	3/8" STEEL FLAT WASHER

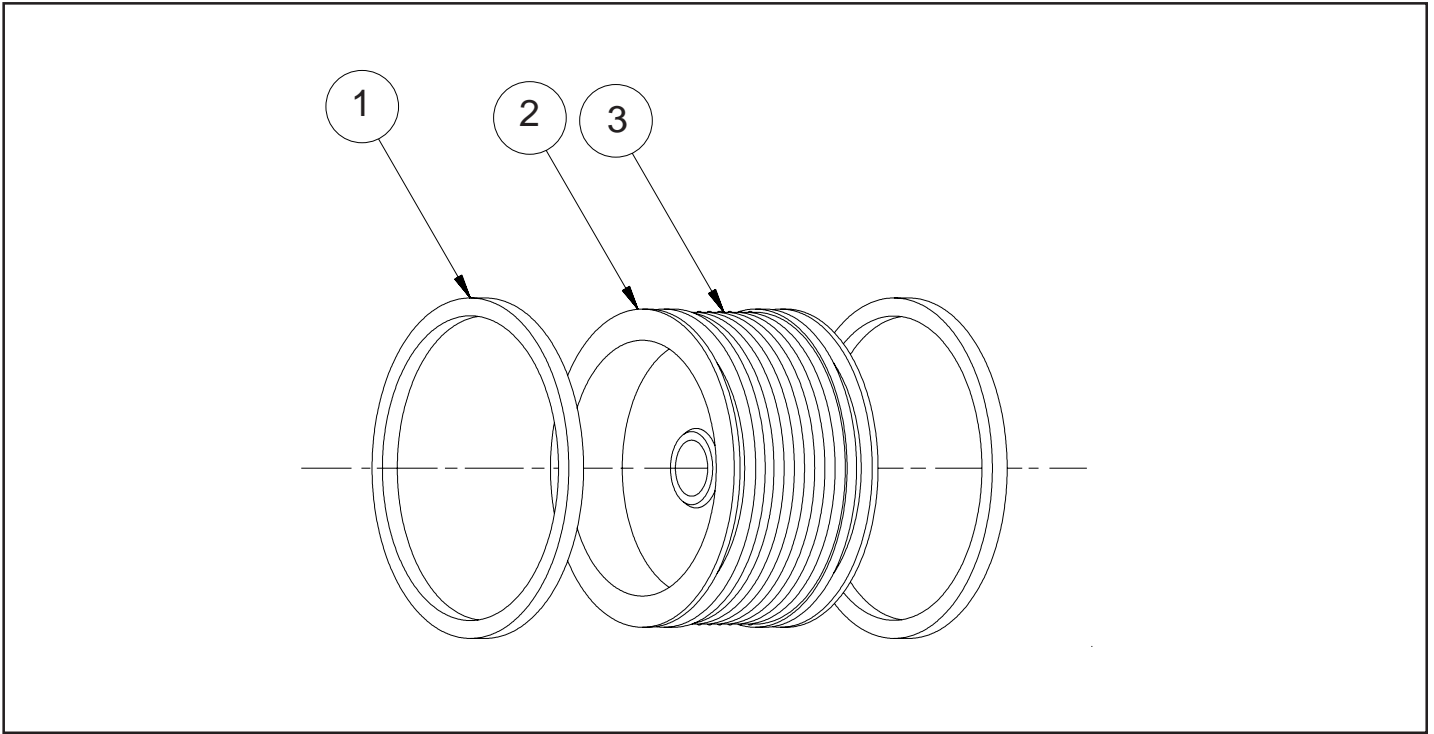
NON-POROUS MIDSIZE CODER INKING SYSTEM ASSEMBLY



NON-POROUS MIDSIZE CODER INKING SYSTEM PARTS LIST

KEY NO.	PART NUMBER	QTY. REQD.	DESCRIPTION
1	HP-06	4	SET SCREW, 8-32 X 3/16" CPS
2	NP-19	2	ECCENTRIC KNURLED KNOB
3	NP-29	1	BLACK VINYL CAP
4	MSC-CA-NPLS	1	COVER ASSEMBLY, 1" NP LEFT SIDE
	MSC-CA-NPLT		COVER ASSEMBLY, 1" NP LEFT TOP
	MSC-CA-NPRS		COVER ASSEMBLY, 1" NP RIGHT SIDE
	MSC-CA-NPRT		COVER ASSEMBLY, 1" NP RIGHT TOP
	MSC-CA2-NPLS		COVER ASSEMBLY, 2" NP LEFT SIDE
	MSC-CA2-NPLT		COVER ASSEMBLY, 2" NP LEFT TOP
	MSC-CA2-NPRS		COVER ASSEMBLY, 2" NP RIGHT SIDE
5	HP-42	4	DELFIN WASHER
	MSC-IRES	1	1" INK ROLL ECCENTRIC & SHAFT ASSEMBLY
MSC-IRES-2	2" INK ROLL ECCENTRIC & SHAFT ASSEMBLY		
7	NP-21	2	O-RING, ECCENTRIC
8	NP-XC1	1	1" NP XF NEOPRENE INK ROLL
	NP-XC2		2" NP XF NEOPRENE INK ROLL
9	MS-34	1	BASEPLATE, NP LEFT INKING SYSTEM
	MS-06		BASEPLATE, NP RIGHT INKING SYSTEM
10	MS-29	2	DELFIN WASHER
11	MC-02	2	SCREW, 1/4-20 X 5/8" SHC
12	NP-17	1	COVER RETAINING KNOB
13	NP-16	1	DRIVE WHEEL COVER
14	NP-15	1	DELFIN WASHER, DRIVE WHEEL
15	NP-14	1	KNURLED DRIVE WHEEL W/DELFIN WASHER
16	NP-TRA-1	1	1" TRANSFER ROLL ASSEMBLY
	NP-TRA-2		2" TRANSFER ROLL ASSEMBLY
17	NP-05	1	1" TRANSFER ROLL AXLE
	NP-06		2" TRANSFER ROLL AXLE
18	HP-04	1	3/8" BRASS FLAT WASHER
19	MSC-ISEA	1	INKING SYSTEM ECCENTRIC ASSEMBLY

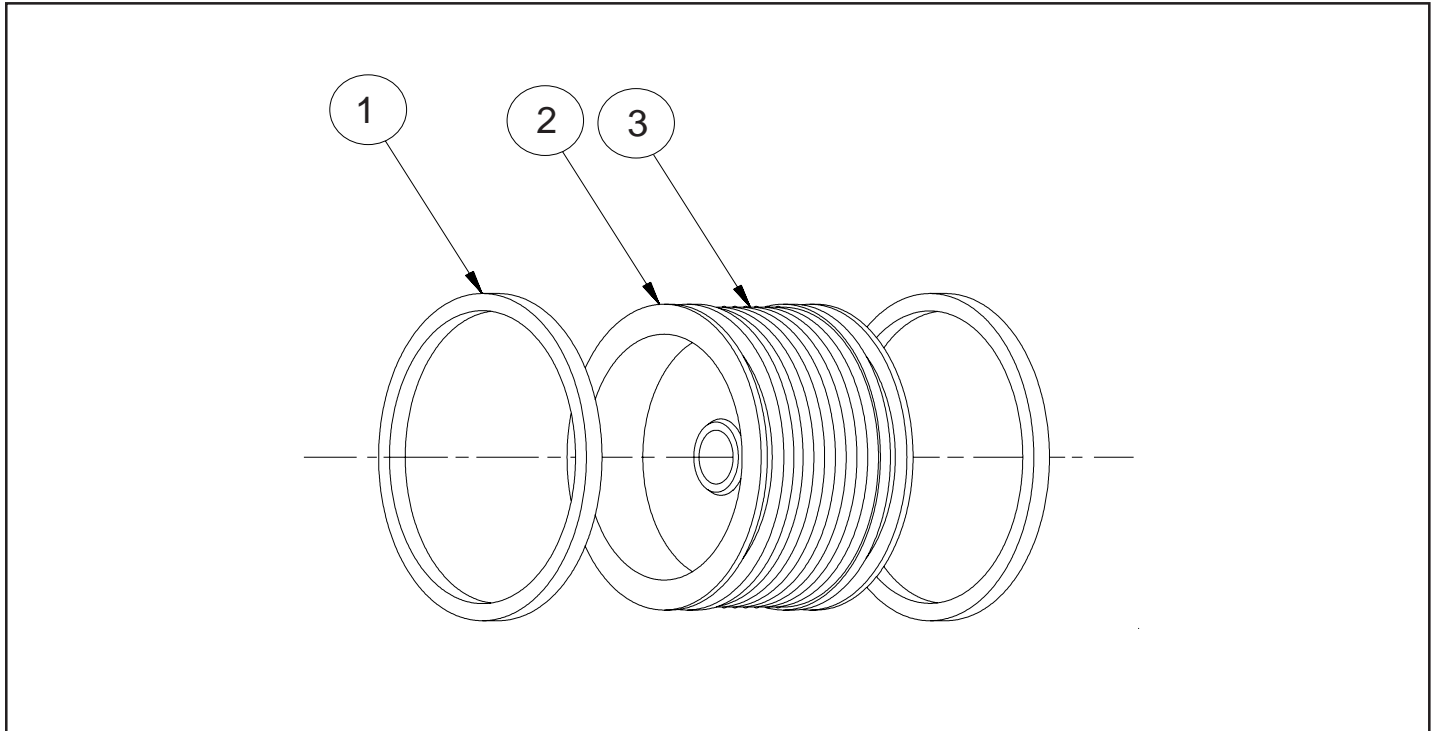
NON-POROUS MIDSIZE CODER 1" PRINT DRUM ASSEMBLY



NON-POROUS MIDSIZE CODER 1" PRINT DRUM PARTS LIST

KEY NO.	PART NUMBER	QTY. REQD.	DESCRIPTION
1	MS-20	2	BEARER RING, MS-120
	MS-21		BEARER RING, MS-150
	CO-02S		BEARER RING, MS-180
2	PRINT DRUMS ONLY AVAILABLE IN COMPLETE PRINT DRUM ASSEMBLIES. SEE PAGES 2 & 3 (KEY 2)		
3	MS-11	1	RIBtype® RING, NON-POROUS MS-120
	MS-12		RIBtype® RING, NON-POROUS MS-150
	CLP-BL1		RIBtype® RING, NON-POROUS MS-180
	MS-11T		RIBtype® RING, NON-POROUS MS-120 - METRIC
	MS-12T		RIBtype® RING, NON-POROUS MS-150 - METRIC
	CLP-BL1T		RIBtype® RING, NON-POROUS MS-180 - METRIC

NON-POROUS MIDSIZE CODER 2" PRINT DRUM ASSEMBLY



NON-POROUS MIDSIZE CODER 2" PRINT DRUM PARTS LIST

KEY NO.	PART NUMBER	QTY. REQD.	DESCRIPTION
1	MS-20	2	BEARER RING, MS-220
	MS-21		BEARER RING, MS-250
	CO-02S		BEARER RING, MS-280
2	PRINT DRUMS ONLY AVAILABLE IN COMPLETE PRINT DRUM ASSEMBLIES. SEE PAGES 2 & 3 (KEY 2)		
3	MS-47	1	RIBtype® RING, NON-POROUS MS-220
	MS-50		RIBtype® RING, NON-POROUS MS-250
	CLP-BL2		RIBtype® RING, NON-POROUS MS-280
	MS-47T		RIBtype® RING, NON-POROUS MS-220 - METRIC
	MS-50T		RIBtype® RING, NON-POROUS MS-250 - METRIC
	CLP-BL2T		RIBtype® RING, NON-POROUS MS-280 - METRIC

Universal Stenciling & Marking Systems, Inc.
 P.O. Box 871 - St. Petersburg, FL 33731 - U.S.A.
 Ph: (727) 894-3027 - E-Mail: sales@universal-marking.com
 Website: www.universal-marking.com