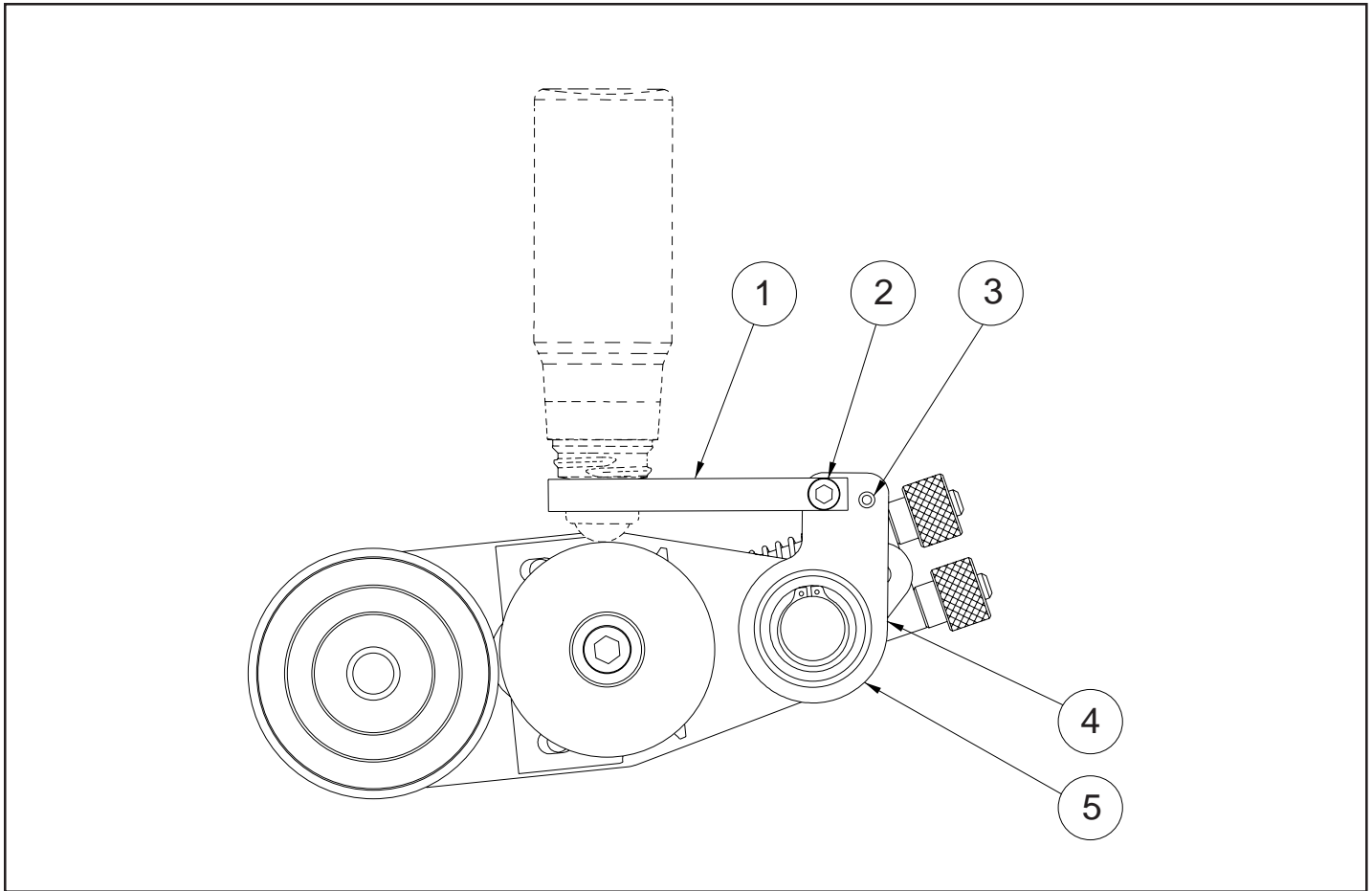


April 5, 2022

UNIVERSAL POROUS MINI-CODER
 MC-10 & MC-20 SERIES

POROUS MINI-CODER HINGED BOTTLE BRACKET ASSEMBLY
MC-HBB - FOR TOP MOUNT INSTALLATION



POROUS MINI-CODER HINGED BOTTLE BRACKET PARTS LIST
MC-HBB - FOR TOP MOUNT INSTALLATION

KEY NO.	PARTNUMBER	QTY. REQD.	DESCRIPTION
1	MC-HBB02	1	1-1/8" & 2" MINI-CODER ARM
2	MRM-CI-03	1	SHOULDER SCREW, .250 DIA. X .500 LG
3	CR-16	1	COMPRESSION PIN FOR HINGED BRACKET
4	CF-05	1	SET SCREW, 8-32 X 3/16" S.S. NTS
5	MC-HBB01	1	MOUNTING BRACKET

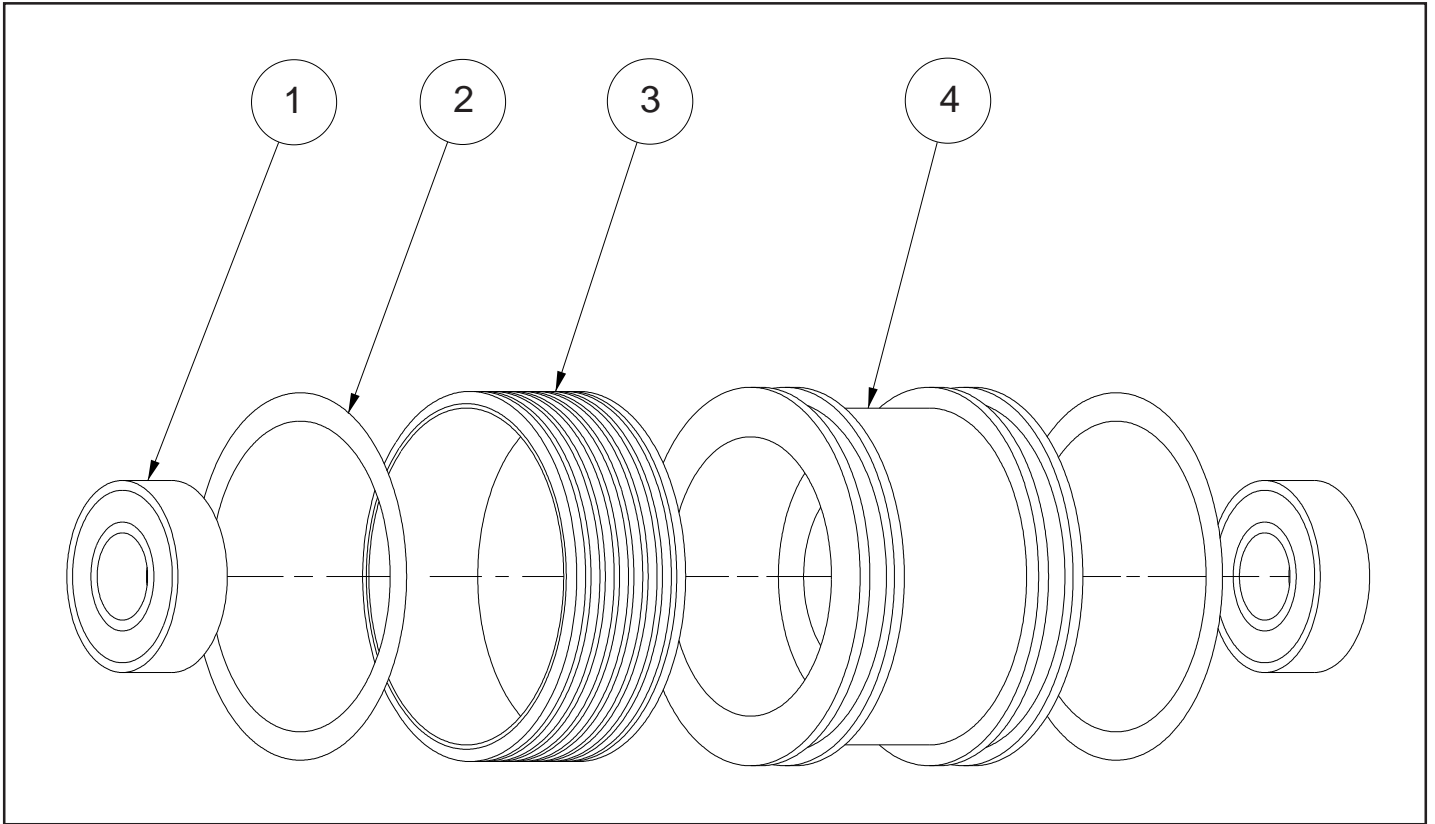
POROUS MINI-CODER PARTS LIST

KEY NO.	PART NUMBER	QTY. REQD.	DESCRIPTION
1	MC-15	1	TENSION BLOCK RETAINING KNOB
2	CB-05	2	BEARING, NEEDLE
3	MC-103	1	PIVOT BLOCK ASSEMBLY "A"
4	MC-19	2	DELFIN BUSHING
5	MC-17	1	SET SCREW, 1/4-20 X 1/2" LG CPS
6	MC-06	1	HEX PIVOT POST
7	MC-02	2	SCREW, 1/4-20 X 5/8" LG SHC
8	MC-100	1	BASE PLATE ASSEMBLY FOR MC-10
	MC-200		BASE PLATE ASSEMBLY FOR MC-20
9	MC-55	1	PLUNGER, SPRING FOR QC MC
10	CW-04	1	BRASS WASHER
11	MC-10NI-PDA	1	1-1/8" NON-INDEXING MINI-CODER P.D. ASSEMBLY
	MC-10-PDA		1-1/8" INDEXING MINI-CODER P.D. ASSEMBLY
	MC-20NI-PDA		2" NON-INDEXING MINI-CODER P.D. ASSEMBLY
	MC-20-PDA		2" INDEXING MINI-CODER P.D. ASSEMBLY
	MC-10NI-PDA-T		1-1/8" NON-INDEXING MINI-CODER P.D. ASSEMBLY - METRIC
	MC-10-PDA-T		1-1/8" INDEXING MINI-CODER P.D. ASSEMBLY - METRIC
	MC-20NI-PDA-T		2" NON-INDEXING MINI-CODER P.D. ASSEMBLY - METRIC
	MC-20-PDA-T		2" INDEXING MINI-CODER P.D. ASSEMBLY - METRIC
12	HP-06	3	SET SCREW, 8-32 X 3/16" CPS
13	MC-ICA	1	INDEX CAP ASSEMBLY
14	MC-56	1	SPRING ATTACHMENT RING - SMALL
15	MC-25	1	SPRING, DRUM INDEX
16	CW-01M	1	SPRING ATTACHMENT RING - LARGE
17	MC-08	1	RESERVOIR MOUNTING PAD
18	MC-10MC	1	1-1/8" MC MICROCELL REPLACEMENT ROLL
	MC-20MC		2" MC MICROCELL REPLACEMENT ROLL
19	MC-41	1	INK ROLL AXLE FOR 1-1/8"
	HP-14		INK ROLL AXLE FOR 2"
20	CW-02	1	3/8" STEEL FLAT WASHER

POROUS MINI-CODER PARTS LIST

KEY NO.	PART NUMBER	QTY. REQD.	DESCRIPTION
21	CF-09	1	SCREW, 3/8-16 X 1-1/2" SHC
22	CM-17	1	BRACKET, MOUNTING COLUMN
23	MC-39	1	MOUNTING COLUMN
24	CF-13	1	SNAP RING FOR 3/4" SHAFT
25	CW-01	1	3/4" STEEL FLAT WASHER
26	CW-05	2	3/4" NYLON FLAT WASHER
27	MC-104	1	CAM BLOCK ASSEMBLY
28	CF-05	2	SET SCREW, 8-32 X 3/16" S.S. NTS
29	MC-14	2	TENSION ADJUSTING KNOB
30	CM-33	1	BLOCK "C" SPRING
31	MC-36	2	TENSION SPRING

POROUS MINI-CODER PRINT DRUM ASSEMBLY



POROUS MINI-CODER PRINT DRUM PARTS LIST

KEY NO.	PART NUMBER	QTY. REQD.	DESCRIPTION
1	CB-04	2	BEARING, PRINT DRUM
2	MC-01	2	PRINT DRUM BEARER RING
3	MC-43	1	RIBtype® RING 1-1/8" MC
	MC-21		RIBtype® RING 2" MC
	MC-43T		RIBtype® RING 1-1/8" MC - METRIC
	MC-21T		RIBtype® RING 2" MC - METRIC
4	PRINT DRUMS ONLY AVAILABLE IN COMPLETE PRINT DRUM ASSEMBLIES. SEE PAGES 2 & 3 (KEY 11)		

Universal Stenciling & Marking Systems, Inc.

P.O. Box 871 - St. Petersburg, FL 33731 - U.S.A.
 Ph: (727) 894-3027 - E-Mail: sales@universal-marking.com
 Website: www.universal-marking.com