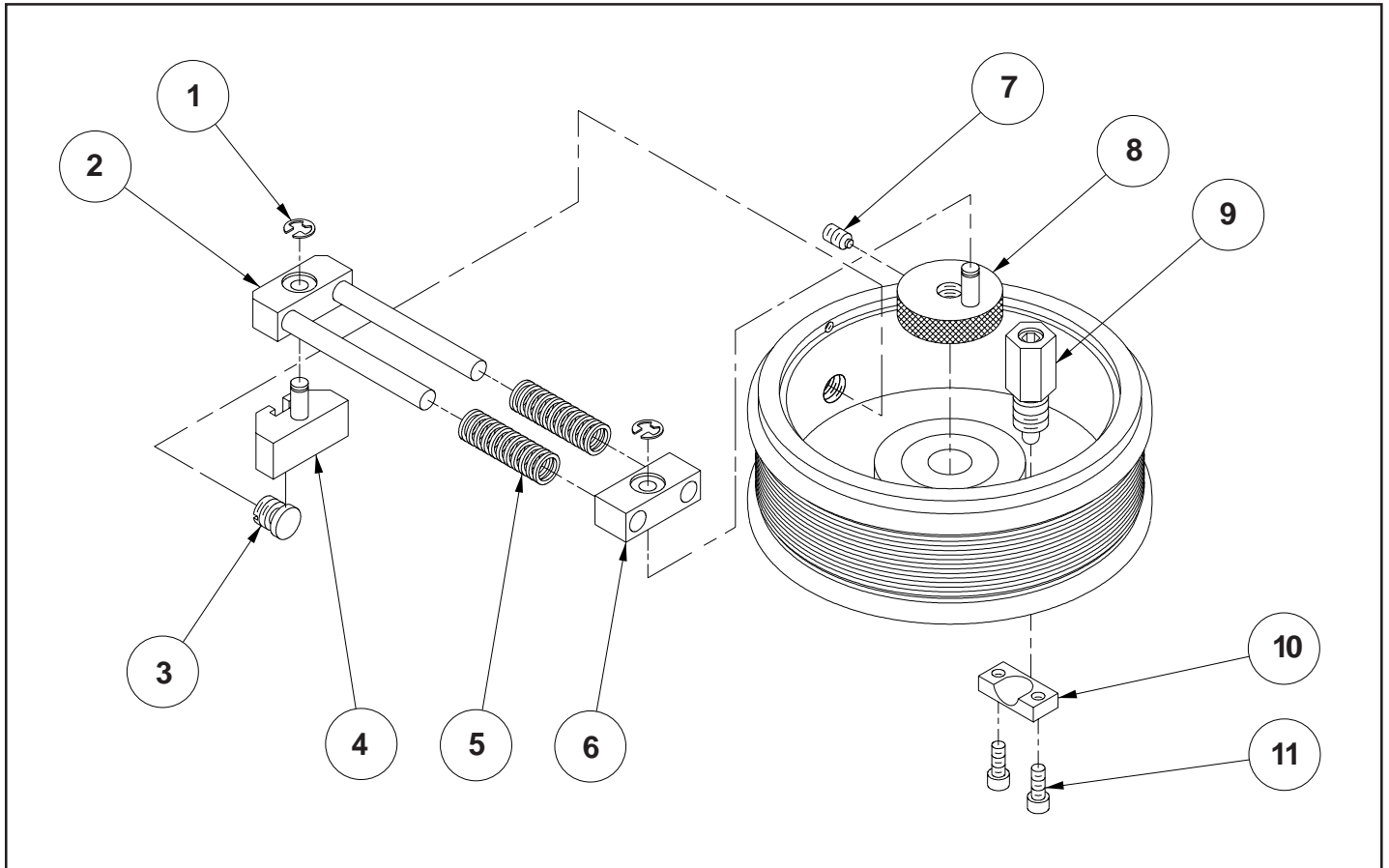


April 29, 2022

UNIVERSAL POROUS CONVEYOR LINE PRINTERS
CLP-100, CLP-200, CLP-300 & CLP-400 SERIES

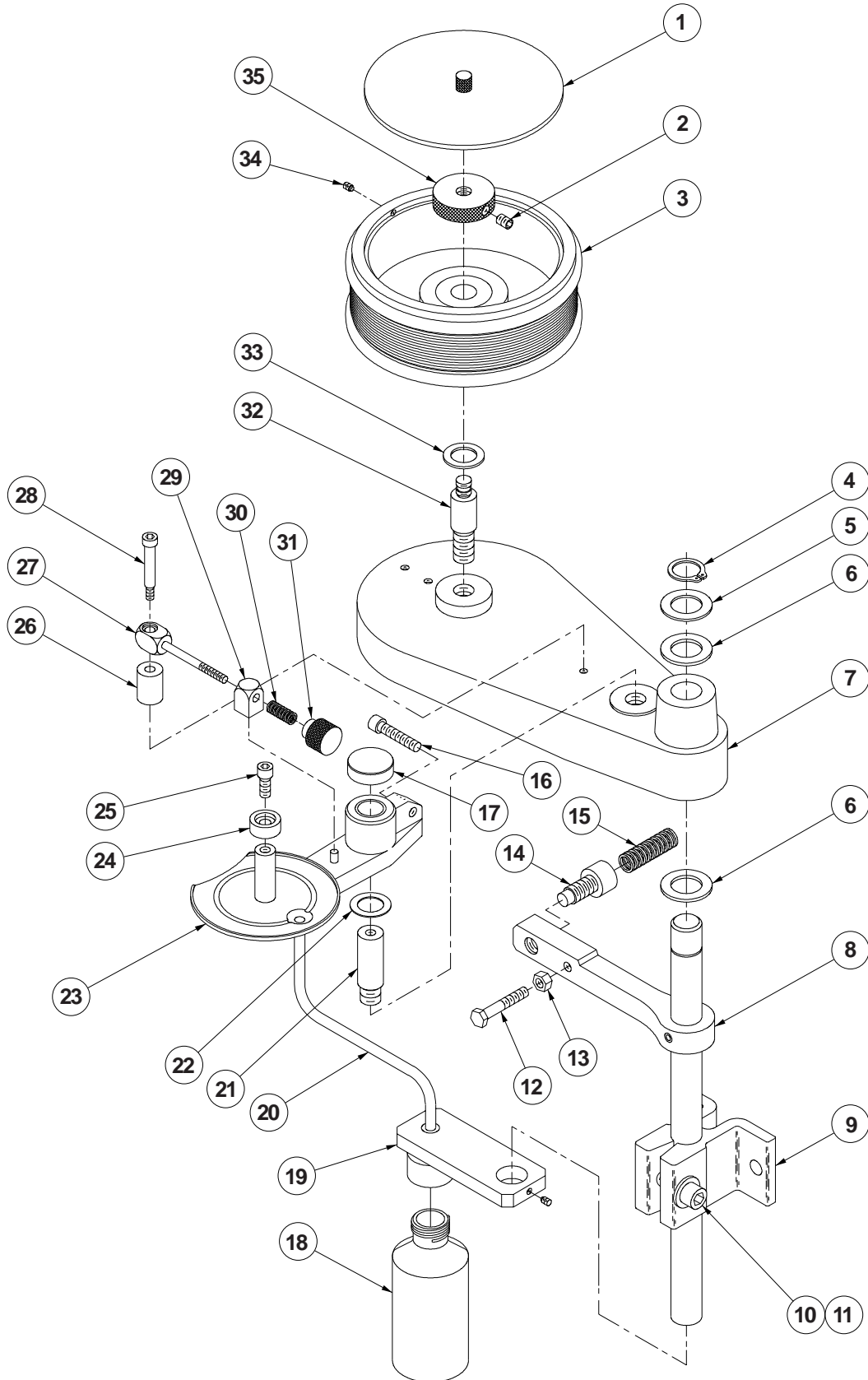
POROUS CONVEYOR LINE PRINTER INDEXING ASSEMBLY



POROUS CONVEYOR LINE PRINTER INDEXING ASSEMBLY PARTS LIST

| KEY NO. | PART NUMBER | QTY. REQD. | DESCRIPTION |
|---------|-------------|------------|-------------------------------|
| 1 | CF-28 | 2 | SNAP RING |
| 2 | CLP-IA | 1 | INDEX ASSEMBLY BLOCK "A" |
| 3 | CF-27 | 1 | INDEX ASSEMBLY MOUNTING SCREW |
| 4 | CLP-IB | 1 | INDEX ASSEMBLY BLOCK "B" |
| 5 | CS-07 | 2 | DRUM INDEX SPRING |
| 6 | CLP-IC | 1 | INDEX ASSEMBLY BLOCK "C" |
| 7 | CF-04 | 1 | 1/4-20 BRASS TIP SET SCREW |
| 8 | CLP-IR2 | 1 | INDEX RING ASSEMBLY |
| 9 | CLP-IP | 1 | INDEX PLUNGER ASSEMBLY |
| 10 | CM-34 | 1 | INDEX RAMP |
| 11 | CF-29 | 2 | SCREW, 10-32 X 1/2" SHC |

POROUS CONVEYOR LINE PRINTER ASSEMBLY



POROUS CONVEYOR LINE PRINTER PARTS LIST

| KEY NO. | PART NUMBER | QTY. REQD. | DESCRIPTION |
|---------|-----------------|------------|---|
| 1 | CM-13 | 1 | DUST COVER W/KNURLED KNOB |
| 2 | CF-04 | 1 | SET SCREW, 1/4-20 X 3/8 BTS |
| 3 | CLP-100NI-PDA | 1 | CLP-100 NON-INDEXING PRINT DRUM ASSEMBLY |
| | CLP-100-PDA | | CLP-100 INDEXING PRINT DRUM ASSEMBLY |
| | CLP-200NI-PDA | | CLP-200 NON-INDEXING PRINT DRUM ASSEMBLY |
| | CLP-200-PDA | | CLP-200 INDEXING PRINT DRUM ASSEMBLY |
| | CLP-300NI-PDA | | CLP-300 NON-INDEXING PRINT DRUM ASSEMBLY |
| | CLP-300-PDA | | CLP-300 INDEXING PRINT DRUM ASSEMBLY |
| | CLP-400NI-PDA | | CLP-400 NON-INDEXING PRINT DRUM ASSEMBLY |
| | CLP-400-PDA | | CLP-400 INDEXING PRINT DRUM ASSEMBLY |
| | CLP-100NI-PDA-T | | CLP-100 NON-INDEXING PRINT DRUM ASSEMBLY - METRIC |
| | CLP-100-PDA-T | | CLP-100 INDEXING PRINT DRUM ASSEMBLY - METRIC |
| | CLP-200NI-PDA-T | | CLP-200 NON-INDEXING PRINT DRUM ASSEMBLY - METRIC |
| | CLP-200-PDA-T | | CLP-200 INDEXING PRINT DRUM ASSEMBLY - METRIC |
| | CLP-300NI-PDA-T | | CLP-300 NON-INDEXING PRINT DRUM ASSEMBLY - METRIC |
| | CLP-300-PDA-T | | CLP-300 INDEXING PRINT DRUM ASSEMBLY - METRIC |
| | CLP-400NI-PDA-T | | CLP-400 NON-INDEXING PRINT DRUM ASSEMBLY - METRIC |
| | CLP-400-PDA-T | | CLP-400 INDEXING PRINT DRUM ASSEMBLY - METRIC |
| 4 | CF-13 | 1 | SNAP RING FOR 3/4" SHAFT |
| 5 | CW-01 | 1 | 3/4" STEEL FLAT WASHER |
| 6 | CW-05 | 2 | 3/4" NYLON FLAT WASHER |
| 7 | CC-01 | 1 | BASE PLATE ASSEMBLY |
| 8 | CLP-MCA | 1 | MOUNTING COLUMN ASSEMBLY |
| 9 | CM-17 | 1 | MOUNTING COLUMN BRACKET |
| 10 | CW-02 | 1 | 3/8" STEEL FLAT WASHER |
| 11 | CF-09 | 1 | SCREW, 3/8-16 X 1-1/2" SHC |
| 12 | CF-10 | 1 | HEX BOLT, 1/4-20 X 1-1/2 |
| 13 | CF-11 | 1 | HEX NUT, 1/4-20 |
| 14 | CM-25 | 1 | TENSION ARM SPRING ADJUSTING CUP ASSEMBLY |
| 15 | CS-06 | 1 | TENSION ARM COMPRESSION SPRING |
| 16 | CF-02 | 1 | SCREW, 1/4-20 X 1-1/4" SHC |
| 17 | CM-16 | 1 | PIVOT ARM CAP |
| 18 | CM-12 | 1 | 4 OZ. RECOVERY BOTTLE |
| 19 | CLP-RB | 1 | RECOVERY BOTTLE BRACKET ASSEMBLY |
| 20 | CT-01 | 1 | DRAIN TUBE |
| 21 | CA-03 | 1 | PIVOT ARM AXLE |

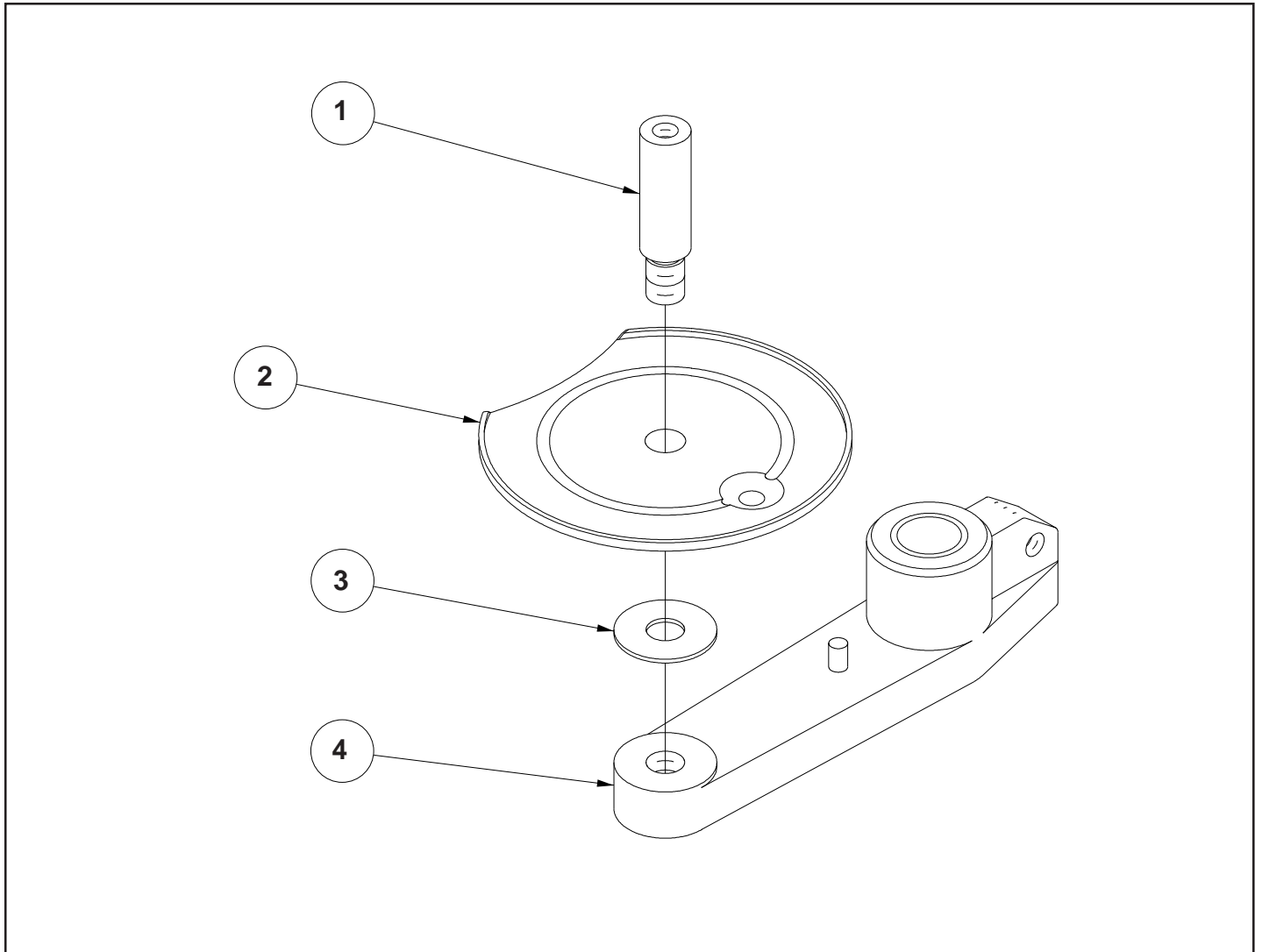
POROUS CONVEYOR LINE PRINTER PARTS LIST

| KEY NO. | PART NUMBER | QTY. REQD. | DESCRIPTION |
|---------|-------------|------------|----------------------------------|
| 22 | CW-04 | 1 | BRASS WASHER |
| 23 | CLP-PA1 | 1 | CLP-100 PIVOT ARM ASSEMBLY |
| | CLP-PA2 | | CLP-200 PIVOT ARM ASSEMBLY |
| | CLP-PA3 | | CLP-300 PIVOT ARM ASSEMBLY |
| | CLP-PA4 | | CLP-400 PIVOT ARM ASSEMBLY |
| 24 | CM-01 | 1 | INK ROLL AXLE CAP |
| 25 | MC-02 | 1 | SCREW, 1/4-20 X 5/8" SHC |
| 26 | CM-26 | 1 | PIVOT ARM SPRING ASSEMBLY POST |
| 27 | CLP-PAB | 1 | PIVOT ARM BLOCK "B" ASSEMBLY |
| 28 | CF-26 | 1 | PIVOT ARM SHOULDER SCREW |
| 29 | CM-27 | 1 | PIVOT ARM BLOCK "A" |
| 30 | CS-05 | 1 | PIVOT ARM COMPRESSION SPRING |
| 31 | CM-30 | 1 | PIVOT ARM ADJUSTING KNOB |
| 32 | CA-06 | 1 | CLP-100 PRINT DRUM AXLE |
| | CA-02 | 1 | CLP-200 PRINT DRUM AXLE |
| | CA-01 | 1 | CLP-300 & 400 PRINT DRUM AXLE |
| 33 | CW-03 | 1 | PRINT DRUM BRASS WASHER |
| 34 | CF-05 | 2 | SET SCREW, 8-32 X 3/16" S.S. NTS |
| 35 | CM-04 | 1 | KNURLED RETAINING RING |

POROUS CONVEYOR LINE PRINTER DRY INK ROLLS PARTS LIST

| CLP-SERIES | PART NUMBER | DESCRIPTION |
|----------------|-------------|--|
| CLP-100 SERIES | CLP-MC1 | 1-1/8" MICROCELL INK ROLL - DRY - STANDARD |
| | CLP-XC1 | 1-1/8" XF NEOPRENE INK ROLL - DRY - OPTIONAL |
| | CLP-FC1 | 1-1/8" NEOPRENE INK ROLL - DRY - OPTIONAL |
| CLP-200 SERIES | CLP-MC2 | 2" MICROCELL INK ROLL - DRY - STANDARD |
| | CLP-XC2 | 2" XF NEOPRENE INK ROLL - DRY - OPTIONAL |
| | CLP-FC2 | 2" NEOPRENE INK ROLL - DRY - OPTIONAL |
| CLP-300 SERIES | CLP-XC3 | 3" XF NEOPRENE INK ROLL - DRY - STANDARD |
| | CLP-MC3 | 3" MICROCELL INK ROLL - DRY - OPTIONAL |
| | CLP-FC3 | 3" NEOPRENE INK ROLL - DRY - OPTIONAL |
| CLP-400 SERIES | CLP-XC4 | 4" XF NEOPRENE INK ROLL - DRY - STANDARD |
| | CLP-MC4 | 4" MICROCELL INK ROLL - DRY - OPTIONAL |
| | CLP-FC4 | 4" NEOPRENE INK ROLL - DRY - OPTIONAL |

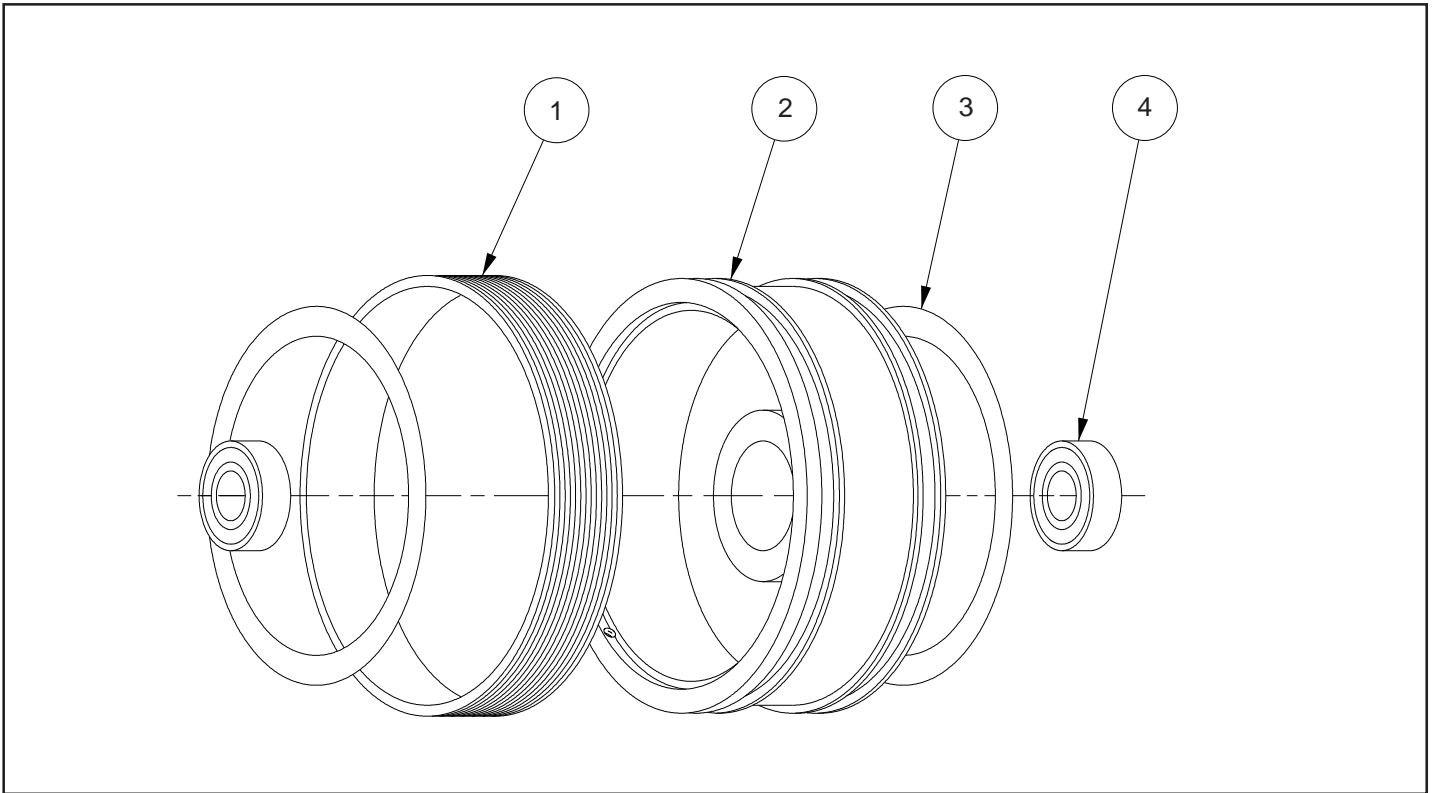
POROUS CONVEYOR LINE PRINTER PIVOT ARM ASSEMBLY



POROUS CONVEYOR LINE PRINTER PIVOT ARM PARTS LIST

| KEY NO. | PART NUMBER | QTY. REQD. | DESCRIPTION |
|---------|-------------|------------|-----------------------------|
| 1 | CA-07 | 1 | CLP-100 INK ROLL AXLE |
| | CA-05 | | CLP-200 INK ROLL AXLE |
| | CA-08 | | CLP-300 INK ROLL AXLE |
| | CA-04 | | CLP-400 INK ROLL AXLE |
| 2 | CLP-RT | 1 | RECOVERY TRAY ASSEMBLY |
| 3 | CW-06 | 1 | RECOVERY TRAY DELRIN WASHER |
| 4 | CLP-PA | 1 | PIVOT ARM SUB-ASSEMBLY |

POROUS CONVEYOR LINE PRINTER PRINT DRUM ASSEMBLY



POROUS CONVEYOR LINE PRINTER PRINT DRUM PARTS LIST

| KEY NO. | PART NUMBER | QTY. REQD. | DESCRIPTION |
|---------|--|------------|--------------------------------------|
| 1 | CLP-BL1 | 1 | CLP-100-RIBtype® DRUM COVER |
| | CLP-BL2 | | CLP-200-RIBtype® DRUM COVER |
| | CLP-BL3 | | CLP-300-RIBtype® DRUM COVER |
| | CLP-BL4 | | CLP-400-RIBtype® DRUM COVER |
| | CLP-BL1T | | CLP-100-RIBtype® DRUM COVER - METRIC |
| | CLP-BL2T | | CLP-200-RIBtype® DRUM COVER - METRIC |
| | CLP-BL3T | | CLP-300-RIBtype® DRUM COVER - METRIC |
| | CLP-BL4T | | CLP-400-RIBtype® DRUM COVER - METRIC |
| 2 | PRINT DRUMS ONLY AVAILABLE IN COMPLETE PRINT DRUM ASSEMBLIES. SEE PAGES 2 & 3 (KEY 3) | | |
| 3 | CO-02 | 2 | BEARER RING |
| 4 | CB-04 | 2 | PRINT DRUM BEARING |

Universal Stenciling & Marking Systems, Inc.

P.O. Box 871 - St. Petersburg, FL 33731 - U.S.A.

Ph: (727) 894-3027 - E-Mail: sales@universal-marking.com

Website: www.universal-marking.com