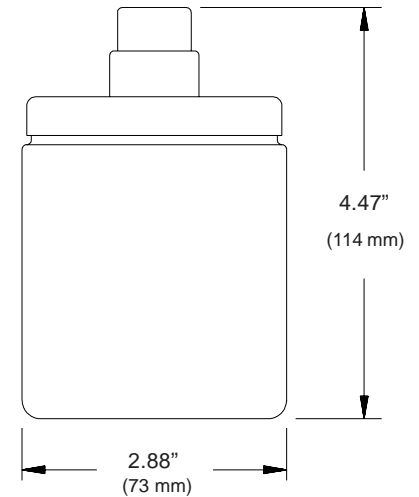


Capillary Refillable Marking Systems



Inkwell Marker

The IW-100 Inkwell Marking System includes an SPM-10C capillary speedmarker and a unique 8 oz. glass reservoir base which serves as both a marker stand and an automatic re-inking system. When the marker is placed in the base, capillary action draws ink from the felt disks inside the reservoir base into the marker barrel keeping the marker refilled at all times. This system is perfect for the shipping room or warehouse where high volume marking operations are performed. Recommended for use with Universal Type FD marking ink for marking on both porous & non-porous materials.

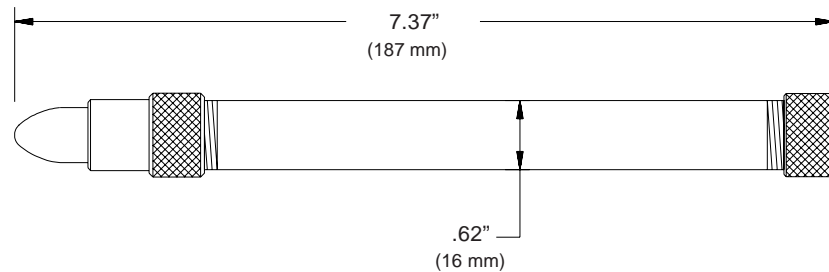


IW-100 INK WELL

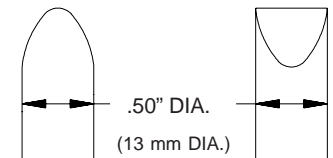
The SPM-10C Speedmarker is a refillable industrial quality marker which utilizes capillary action to provide a continuous supply of ink to the felt tip. Simply pour ink into the barrel of the marker and the felt packing inside will automatically draw the ink to the felt tip. The speedmarker is the largest of the three refillable markers and is available with a round or chisel felt tip. Universal Type FD marking ink is recommended for marking on both porous & non-porous materials.

Speedmarker

Replacement felt tips are packaged in quantities of one dozen per package.



SPM-10C - CAPILLARY SPEEDMARKER



SPM-20
ROUND TIP

SPM-40
CHISEL TIP

Manufactured By

Universal Stenciling & Marking Systems, Inc.

P.O. Box 871 - St. Petersburg, FL 33731 - U.S.A.

Ph: (727) 894-3027 Fax: (727) 821-7944 E-Mail: sales@universal-marking.com Website: www.universal-marking.com