



OWNER'S MANUAL

NON-POROUS WPNP-400NI & WPNP-400NI -T WEB PRINTERS

INSTALLATION - OPERATION - MAINTENANCE



UNIVERSAL STENCILING & MARKING SYSTEMS, INC.
P.O. BOX 871 - ST. PETERSBURG, FLORIDA 33731 USA
PH: (727) 894-3027 - E-Mail: sales@universal-marking.com
Website: www.universal-marking.com

IMPORTANT NOTE

UNIVERSAL products are manufactured to exacting standards and every available step has been taken to assure your complete satisfaction. It is most important, however, that the instructions contained in this manual are read and carefully followed for best results. Failure to do so may result in unsatisfactory performance, damage to the equipment and personal injury.

PREFACE	3
SPECIFICATIONS	
WPNP-400NI & WPNP-400NI-T	4
Printing Dies	5
Ink rolls	6
QUICK START	
Installing the Printer	7
Preparing the printer for installation of the Type MT Ink Roll	8
Preparing the Type MT Ink Roll for installation	10
Installing the Type MT Ink Roll	11
Reinstalling the Inking System on the coder	13
Installing the Printing Dies	14
Inking System Position Adjusting Knobs	15
Pre-inking the XF Neoprene Ink Roll	16
MAINTENANCE	
Cleaning the Printer	17
Cleaning the Transfer Roll	17
Cleaning the Dies	18
PARTS DIAGRAMS & PARTS LISTS	19

- LIMITED WARRANTY -

UNIVERSAL WPNP-400NI Web Printers are guaranteed to be free from defects in materials and workmanship for a period of 90 days from the date of purchase. Components found to be defective during this time will be repaired free of charge if returned to the factory. Damage resulting from use of improper inks, improper installation, or operation is not covered under the scope of this warranty. For warranty service please contact our Customer Service Department.

PREFACE

The Universal WPNP-400NI & WPNP-400NI-T Non-Porous Web Printers meet the requirements for printing on non-porous continuous web materials. A 4" print width capacity and a 19.68" circumference print drum easily accomodates large logos and text messages. These coders are designed for top mount installations and are only available in a non-indexing (continuous print) model.

After many months of design engineering and field testing, these Non-Porous Web Printers are both simplistic in design and extremely effective in operation. Disposable by design, the Type MT Ink Rolls provide fast drying, permanent marks on plastic films, metal, rubber and glass materials. These rolls produce exceptionally dense black marks and yield up to 500,000 impressions in average usage; when the ink is depleted simply dispose of the roll and replace with a new one. A modular version of Universal's patented Non-Porous Inking System effectively eliminates the rapid evaporation of the ink solvents from the ink roll and additionally can be removed from the machine in seconds without the use of tools for off-line ink roll replacement. The relatively low cost of this system makes in-plant printing of all types of non-porous continous web materials a practical reality.

The following pages of this manual explain the installation, operation and maintenance of the WPNP-400NI & WPNP-400NI-T Non-Porous Web Printers.

QUICK START

With a full understanding that very few people like to read manuals or have the time to do so, we have created a Quick Start manual which will get your coder operating in just a few minutes.

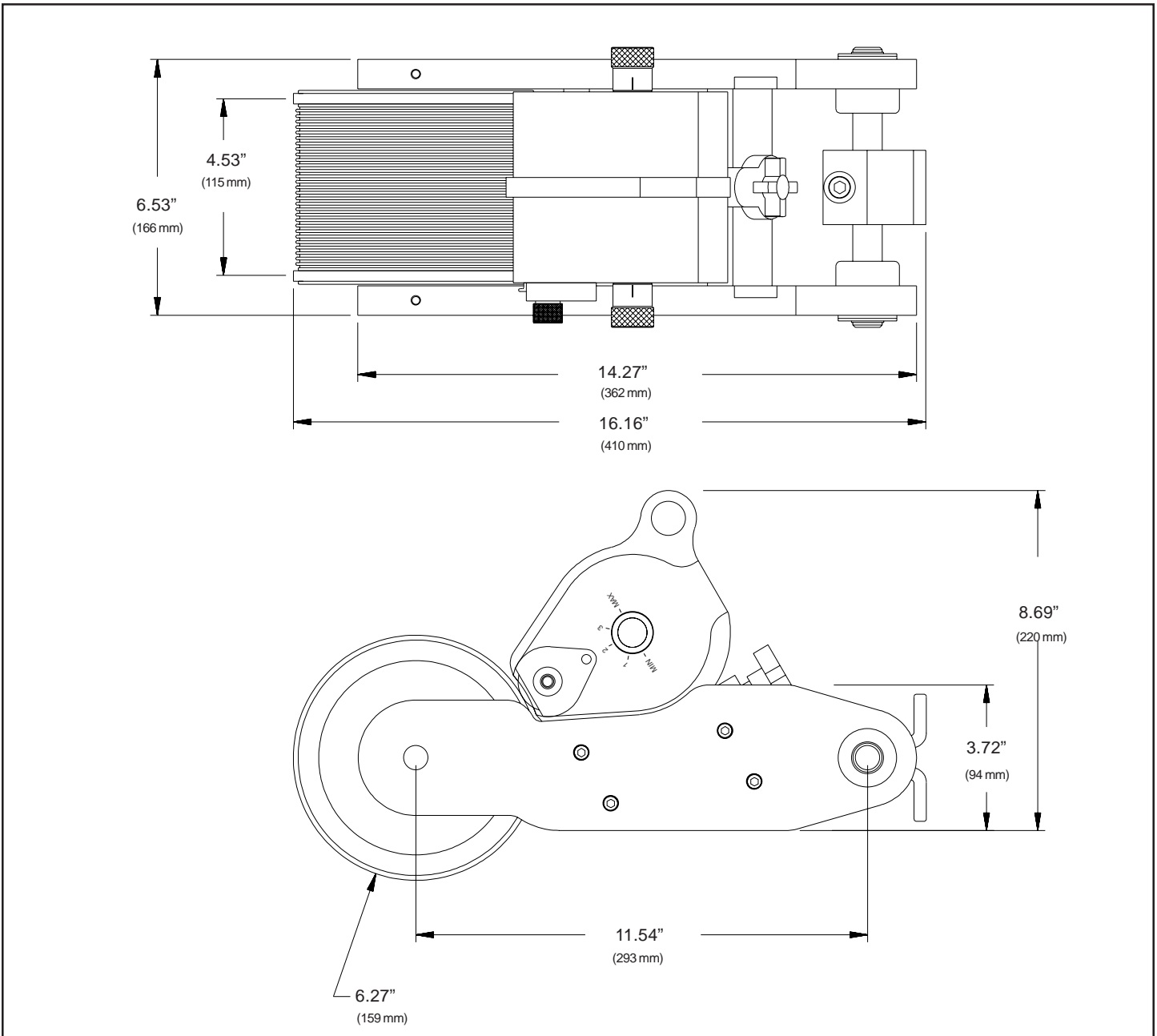
To keep your coder operating properly, it is important to read and understand this manual which explains the basic operation of this coder.

CODER SPECIFICATIONS

The specification section includes drawings with the basic dimensions of the coders, the net weights, maximum die capacities, maximum print width and print drum circumferences. This section also lists the specifications for the printing dies and an explanation of the Non-Indexing models and the mounting configuration.

SPECIFICATIONS

WPNP-400NI & WPNP-400NI-T SPECIFICATIONS



NET WEIGHT:

21 LBS. - 9 OZS. (9.78 KG.)

MAXIMUM DIE SIZE STANDARD:

4" (30 RIBS) X 19-1/8" LENGTH

MAXIMUM DIE SIZE METRIC:

100 MM (28 RIBS) X 430 MM LENGTH

PRINT DRUM CIRCUMFERENCE:

APPROXIMATELY 19.68" (500 MM) MEASURED AT THE DIE FACE

SPECIFICATIONS

RIBtype® PRINTING DIES

Universal Non-Porous Coders are designed to use RIBtype® printing dies which have a molded rib backing. The ribs on the back of the die snap into mating ribs in the Drum Cover on the print drum. The printing dies are produced in many standard character styles and sizes and are available in sets containing a combination of individual alphabetic and numeric characters or in sets containing numeric characters only. These character sets or “sorts” can be used to make up text messages and code numbers as necessary.

Dies are also available in “logo” form in which a complete text message is produced on a single piece of rib backed rubber. Logo dies are much faster to change and generally produce better print quality due to their unitized construction. Custom type styles, company logos, and trademarks can also be photographed from black and white art work.

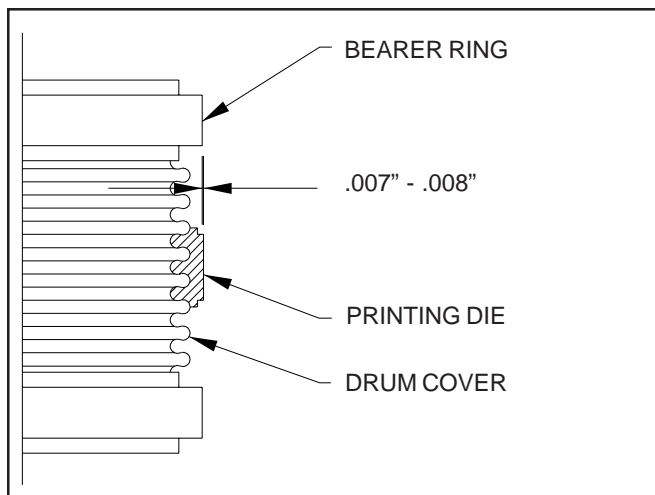


FIGURE 1

Printing dies are manufactured to precision thickness tolerances which are very critical to the performance of these coders. When installed, the face of the printing die should extend only .007" - .008" beyond the radius of the Bearer Rings as shown in Figure 1. Using dies that do not meet the design specifications will result in poor print quality and possible damage to the transfer roll.

Although there are several competitive rib backed die systems available, it is very important to note that they are not all made to the same rib spacing or thickness specifications and they are not interchangeable.

CODER MODELS DESIGNED FOR METRIC RIBtype® PRINTING DIES

Universal also offers Metric RIBtype® Die Systems for use in countries where metric character sizes are the standard. The Metric dies are thicker and the rib spacing differs slightly from the standard printing dies therefore the two versions are not compatible. To accommodate the differences, the print drums for Metric dies are machined to a slightly different diameter from the U.S. versions.

The coder model numbers on Metric coders will have a “-T” suffix and the Metric Drum Covers will have a distinct pink color.

SPECIFICATIONS

INK ROLLS

Universal offers two ink roll options for the WPNP-400NI-12 Printers. Each roll has unique characteristics which will help determine the suitability for a specific printing application. The printers are designed to accommodate both types of ink rolls without modification. A detailed review of your printing requirements will determine the best choice of ink rolls for your particular application.

XF NEOPRENE INK ROLLS

Universal's XF Neoprene Ink Rolls are a re-inkable roll which can be used with a variety of alcohol or glycol base inks. These rolls are normally supplied in a dry condition with the printer and require ***pre-inking*** prior to installation. Pre-inked rolls are available from the factory and are recommended for first time users.

In high speed web printing applications, Universal's #100 Inks provide drying times of approximately 2 seconds at 75 Degree F. (24 Deg. C) ambient temperature. Many other inks, both dye and pigment based, can be used in these ink rolls to meet the specific application requirements.



TYPE MT INK ROLLS

Universal's Type MT Ink Rolls are disposable pre-inked rolls which are available in a variety of fast drying colors. The MT Ink Rolls provide excellent color density and adhesion on most materials and an average yield of just under 500,000 impressions before replacement is necessary.

The Type MT Ink Rolls provide drying times between 4 - 7 seconds at 75 Degree F. (24 Deg. C) ambient temperature. The added convenience and simplicity of using the Type MT Ink Rolls make them an ideal choice when production operators have little time to monitor the inking system.



FIGURE 2

QUICK START

INSTALLING THE PRINTER

When choosing a location for the installation of the printer, several issues should be considered:

1 - It is always best to install the printer in a location that is free from dust and other contaminants which can cause degradation of the print quality. Fast drying Non-Porous Inks become tacky during the drying process and printing dies will pick up dust particles and require more frequent cleaning.

2 - If possible, install the printer in a location that provides for easy access. Although the inking system on these printers can be removed in seconds for convenient maintenance on a work bench, changing printing dies requires easy access to the print drum.

3 - The WPNP-400NI & WPNP-400NI-T Printers should be mounted at an angle of 15 to 30 degrees from horizontal as indicated in the Figure below.

Use two 3/8" diameter bolts to attach the printer's mounting bracket to a rigid mounting plate. Ensure that the printer is aligned to track parallel with the web material and that both Rubber Bearer Rings on the Print Drum contact the web with equal pressure.

When printing on thin materials, it is imperative that the print drum is supported by an idler roll or a flat platen under the web as indicated.

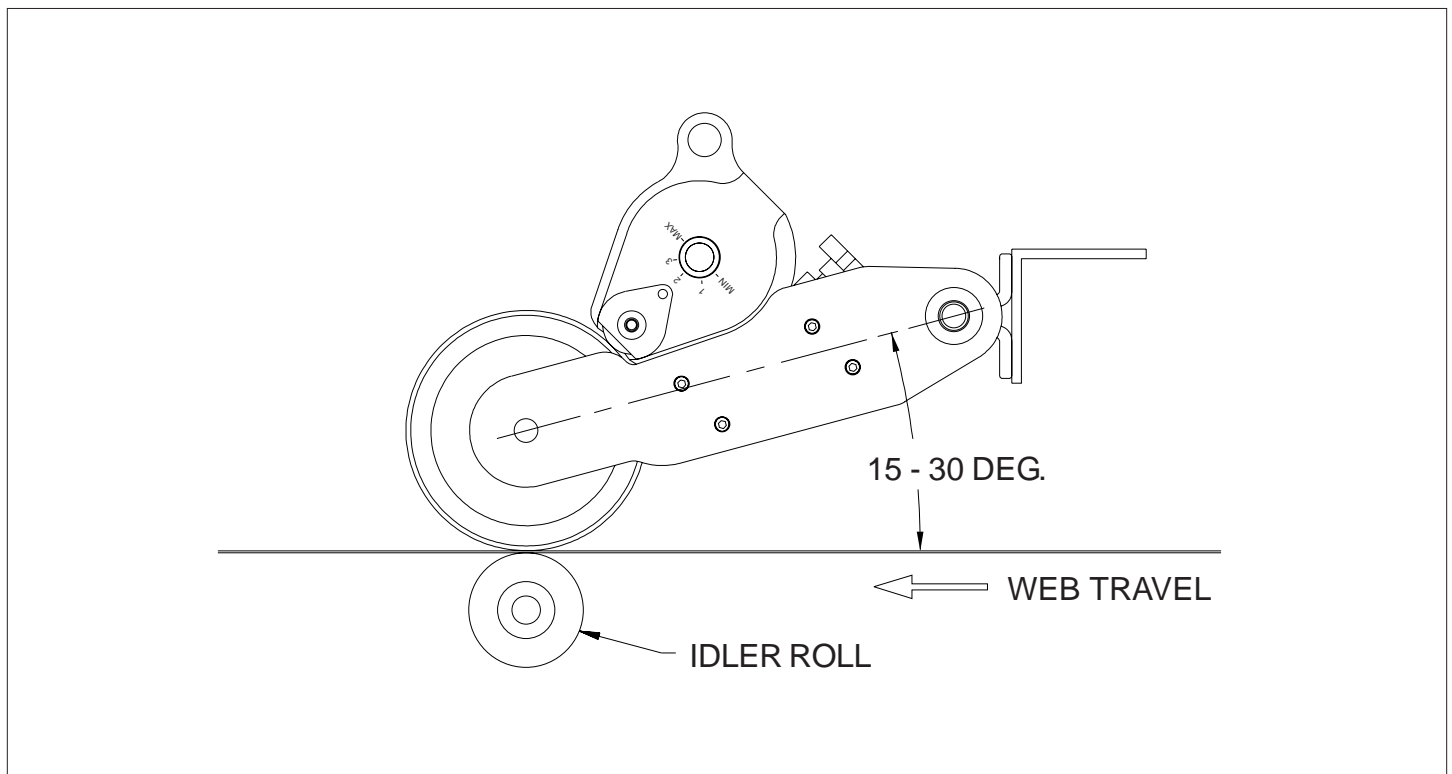


FIGURE 3

QUICK START

The WPNP-400NI Non-Porous Web Printers are designed for top mount installation to print on continuous non-porous web materials. To prepare the printer for use, the following steps should be followed.

PREPARING THE PRINTER FOR INSTALLATION OF THE INK ROLL

The WPNP-400NI-T Printers have been designed with an easily removable inking system. The Ink Rolls can be installed with the inking system on or off the coder. Install the Ink Roll as follows:

- 1 - Loosen the Inking System Locking Knob by turning the knob counter-clockwise approximately 1 revolution.**



FIGURE 4

- 2 -Swing the Inking System Locking Assembly to the left (counter-clockwise) as shown.**

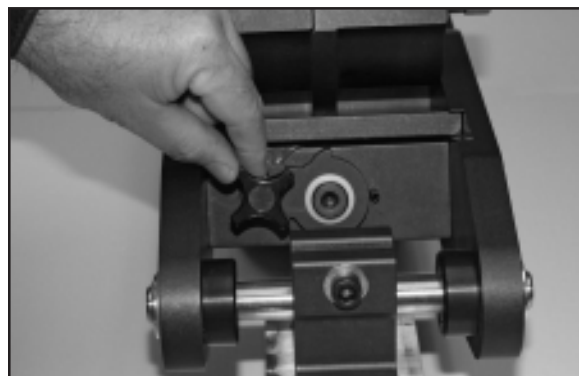


FIGURE 5

- 3 -The Inking System can be removed for off-line installation of the Ink Roll by grasping the Inking System Assembly by the lifting tab and pulling the Inking System out of the machine.**



FIGURE 6

QUICK START

- 4 -Remove the Knurled Retaining Nut by turning it in a counter-clockwise direction.



FIGURE 7

- 5 -Remove the Drive Wheel Cover by lifting it straight off the axle and locating pin.



FIGURE 8

- 6 -Remove the Knurled Drive Wheel.

Note: The Knurled Drive Wheel is installed on the top of the Anilox Roll and is engaged by 3 stainless steel drive pins.



FIGURE 9

- 7 -Remove the Inking System Cover by carefully pulling the Cover straight off the axle. Be very careful not to let the cover drag across the surface of the Anilox Roll during removal.

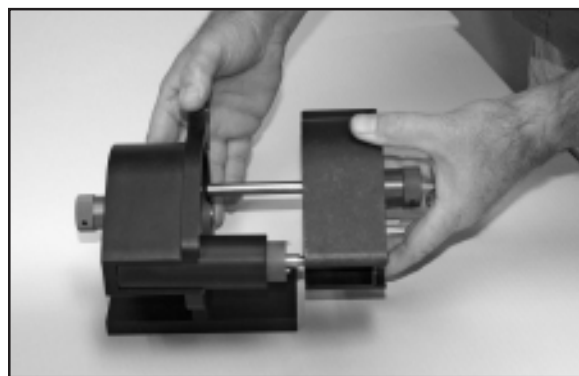


FIGURE 10

QUICK START

PREPARING THE TYPE MT INK ROLLS FOR INSTALLATION

The Type MT Ink Rolls are pre-inked at the factory and are packaged in heat sealed bags. Do not open the bags until you are ready to use the ink roll.

Please note that the Type MT Ink Rolls are normally packaged in a very wet condition. Although the shelf life of the ink roll is extended by packaging them in this manner, the excess ink must be removed before installation on the coder to prevent dripping inside the Inking System Assembly. Rubber gloves should be worn during this process and be aware that some liquid ink may drip out of the bags when the rolls are removed.

1 -Remove the Ink Roll from the package by carefully cutting the top and one side of the bag with scissors.

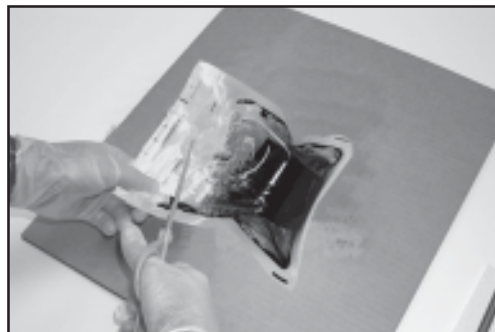


FIGURE 11

2 -Using a small diameter rod (a screwdriver with a round shaft works nicely) insert the rod through the center holes of the roller bushings and lift the roll out of the bag.

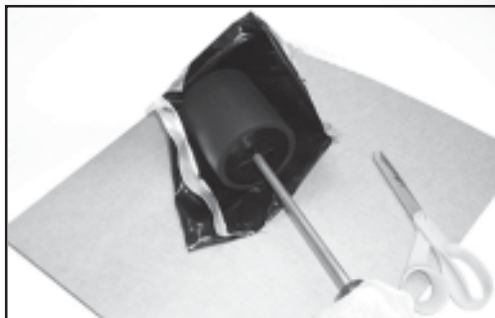


FIGURE 12

3 -Roll the Ink Roll several times across a scrap piece of cardboard while applying light pressure. Continue this process as necessary until the surface of the roll no longer looks wet with ink.

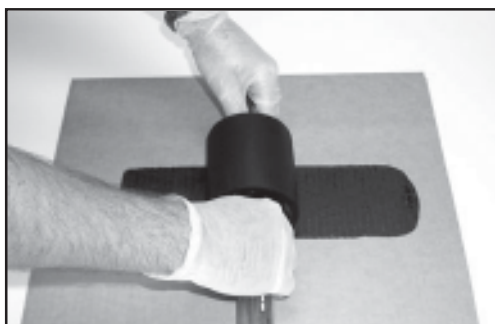


FIGURE 13

4 -Inspect the ends of the roll and if necessary, use a paper towel to blot off any excess ink.



FIGURE 14

QUICK START

INSTALLING THE TYPE MT INK ROLL

- 1 -Rotate the Ink Roll Eccentric Knob on the Inking System Cover to the “MIN” position.

In this position, the ink roll will not touch the Anilox Roll when the cover is reinstalled.

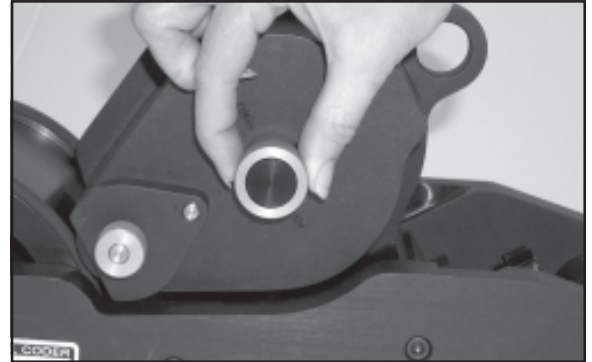


FIGURE 15

- 2 -While holding the Inking System Cover in one hand, slide the Ink Roll onto the Ink Roll Axle.

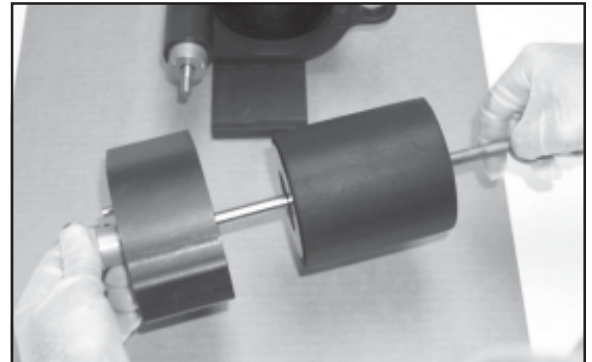


FIGURE 16

- 3 -Carefully guide the Cover Assembly onto the Inking System being careful not to scratch the surface of the Anilox roll in the process.

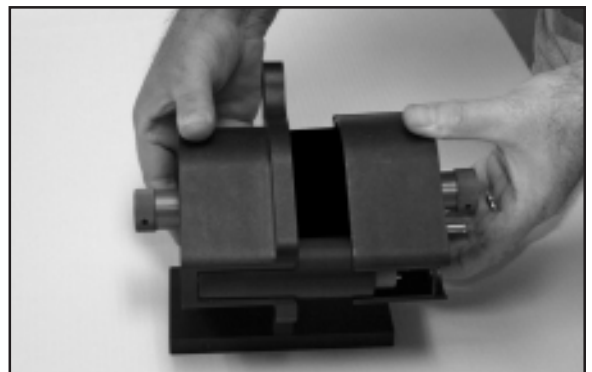


FIGURE 17

QUICK START

- 4 -When the cover assembly is properly positioned against the Inking System Assembly, replace the Knurled Drive Wheel.**

Carefully align the 3 stainless steel pins on the top of the Anilox Roll with the 3 holes in the Knurled Drive Wheel. When the Knurled Drive Wheel is properly engaged, the top of the stainless steel pins will be approximately even with the top surface of the Knurled Drive Wheel.



FIGURE 18

- 5 -Replace the Drive Wheel Cover by aligning the two holes in the cover with the Anilox Roll Axle and the Stainless Steel Locating Pin. Ensure that the cover is positioned completely against the Inking System Cover.**



FIGURE 19

- 6 -While holding the Drive Wheel Cover in position, replace the Knurled Retaining Nut. The Knurled Nut should be just tight enough to hold the Drive Wheel in place.**

Do not over tighten this nut.

The inking system is now ready for final adjustment and use.

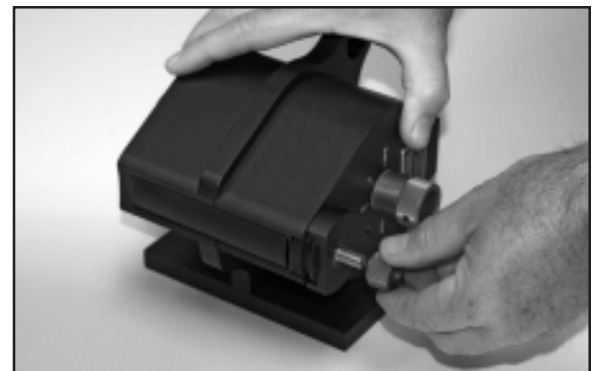


FIGURE 20

QUICK START

REINSTALLING THE INKING SYSTEM ON THE CODER

1 -Align the Inking System baseplate with the two slots on the inside of the Coder Side Frames and slide the Inking System into the coder.



FIGURE 21

2 - Rotate the Inking System Locking Assembly to the vertical position and lightly tighten the Locking Knob.



FIGURE 22

QUICK START

INSTALLING THE PRINTING DIES

1-To install Printing Dies on the Print Drum, first mix a solution of water with a small amount of liquid dishwashing detergent to serve as a lubricant. This will make the installation of the die much easier. Using a sponge saturated with this mixture, moisten the ribs on the back of the die.

Do not use any other lubricants such as silicone or oil on the printing dies.



FIGURE 23

2 -Align the ribs on the back of the printing die with the grooves in the Drum Cover. Starting with one end, firmly press the die into the drum cover until fully engaged. Continue pressing the ribs together, working from one end of the die towards the other.

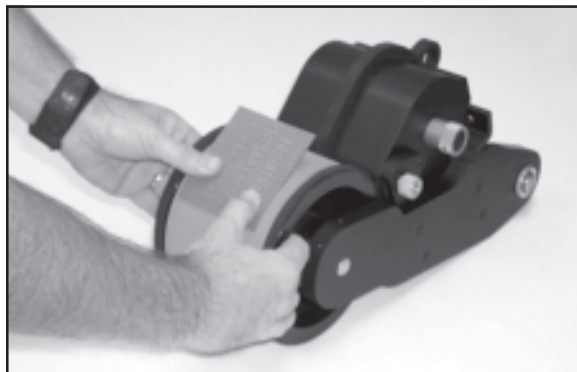


FIGURE 24

3 - While rotating the Print Drum by hand or under power, slowly rotate the Ink Roller Eccentric Knob from the "MIN" towards the "MAX" position and observe the face of the printing dies for ink. Proper adjustment should be reached at a position between the "2" and "3" reference numbers.

The Ink Roller Eccentric moves the Ink Roll into contact with the Anilox Roll. The Eccentric should not be turned any more than necessary to apply a uniform coating of ink to the die face.

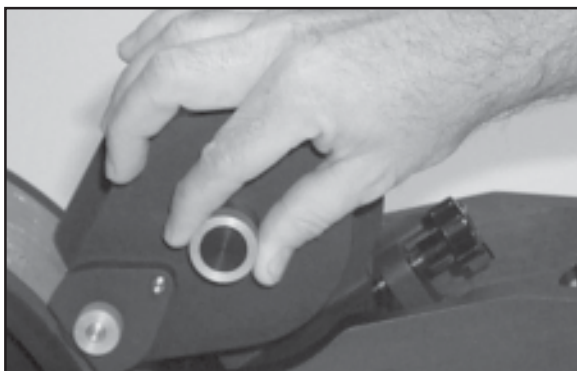


FIGURE 25

QUICK START

INKING SYSTEM POSITION ADJUSTING KNOBS

1 -There are 2 Position Adjustment Knobs on the Joining Bar at the bottom of the slots with threaded shafts which contact the front of the Inking System Baseplate. These knobs have been roughly set at the factory but may require fine adjustment when the system is first used.

Do not adjust these Knobs unless the print quality indicates a need to do so.

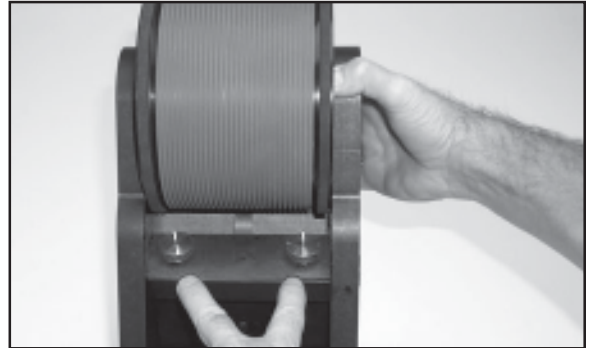


FIGURE 26

The Position Adjusting Knobs serve two functions. First, they provide adjustment for the contact pressure between the Anilox Roll and the face of the Printing Dies. The Anilox Roll should contact the face of the printing dies with just enough contact pressure to properly transfer ink. Secondly, the Adjusting Knobs allow for a small degree of angular alignment between the Anilox Roll and the face of the printing dies. The surface of the Anilox Roll must be adjusted exactly parallel with the face of the Printing Dies in order to ensure uniform transfer of ink across the full width of the Print Drum. If adjustment is required, loosen the Inking System Locking Knob and make small adjustments to the Position Adjusting Knobs. Re-tighten the Inking System Locking Knob and check the print quality. After the correct adjustment has been made, the Position Adjusting Knobs should require no further adjustment.

QUICK START

PRE-INKING THE XF NEOPRENE INK ROLL

Note: Dry rolls must be pre-inked before installation on your WPNP Printer.

Warning: Non-Porous Inks contain flammable solvents. Do not smoke or handle these rolls in the presence of sparks or open flames. These inks will also stain clothing, furniture, carpeting and your hands. We recommend wearing rubber gloves and an apron during the following procedures.

The XF Neoprene Ink Rolls used on the WPNP Printers are manufactured from an extra firm density neoprene foam material. The extremely fine cell structure of this foam gives it the capacity to hold and evenly distribute a large volume of ink which migrates through the foam by capillary action. The ink roll relies on capillary action to draw ink from the center of the roll and evenly distribute it to the surface where it is applied to the transfer roll. The capillary action of ink in a dry foam material is rather poor, much like when you submerge a dry sponge in water. When the roll is initially pre-inked, it must be thoroughly saturated to ensure all of the cells in the foam are wetted with ink. Even if all of the ink is squeezed out of the roll after the initial inking, the capillary action of the roll is dramatically increased.

Please follow the guidelines below to properly pre-ink your roller:

- 1 - Wearing a pair of rubber gloves and an apron, pour approximately 1" of printer ink into the bottom of a clean container large enough to hold approximately 14 ozs. of ink and the 4" roll on it's side.**

A 4" XF Neoprene Roll will hold approximately 14 fluid ounces of ink.

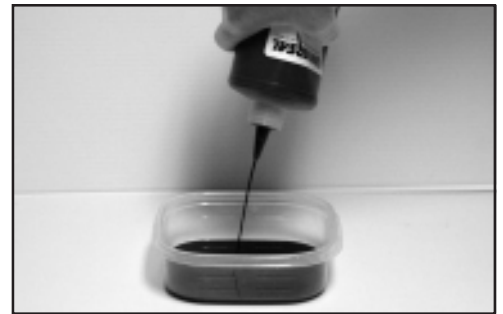


FIGURE 27

- 2 - Carefully place the roll into the container as shown in fig 28. Hold the roller and firmly press down on the foam side of the ink roll and then release the pressure. Rotate the roll and repeat this process several times pressing on different areas. This will force the air out of the roll and the voids will be filled with ink.**

Repeat the process above until all the ink in the container has been absorbed into the roll. Add more ink to the container and repeat the process until the roll will absorb no more ink.

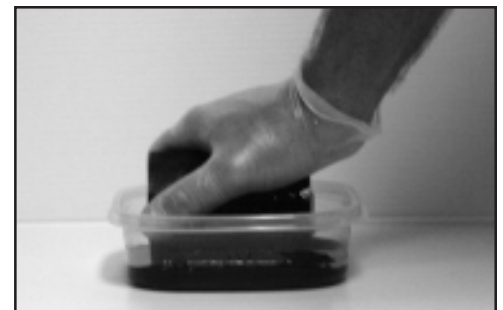


FIGURE 28

- 3 -Insert a round metal rod or screwdriver through the Ink Roll Core and roll the roller several times across a scrap piece of cardboard while applying light pressure to remove the excess ink.**

You want the roll to be fully saturated but not dripping wet. If in doubt about the proper saturation level of the roll during this process, it is better to remove a bit more ink than not enough. Installing a roll with too much ink will cause dripping inside the inking system housing.

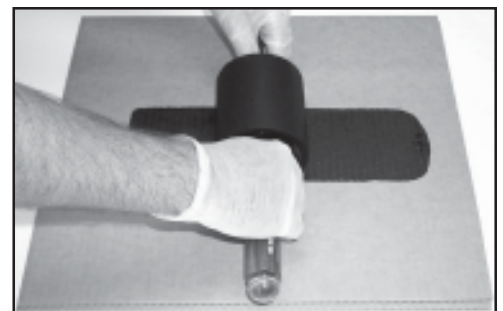


FIGURE 29

MAINTENANCE

CLEANING THE CODER

The surface of the transfer roll is made from DuPont Delrin material and the O.D. of the roll is finely engraved which enables it to hold a uniform film of ink. This surface material is very fragile and under no circumstances should you attempt to clean it with anything abrasive.

Warning: *Most of the ink solvents used for cleaning are flammable liquids. Follow all safety precautions recommended by the manufacturer during this process.*

1 -Periodically, the inking system should be disassembled and inspected for ink residue and dust contamination. To remove ink contamination from the surface of the machine, moisten a soft cotton cloth with the appropriate ink solvent and rub it across the contaminated area.

The frequency of required cleaning can be greatly reduced if the inking system is kept in proper adjustment during normal operation and if the ink roll does not become over saturated with ink.

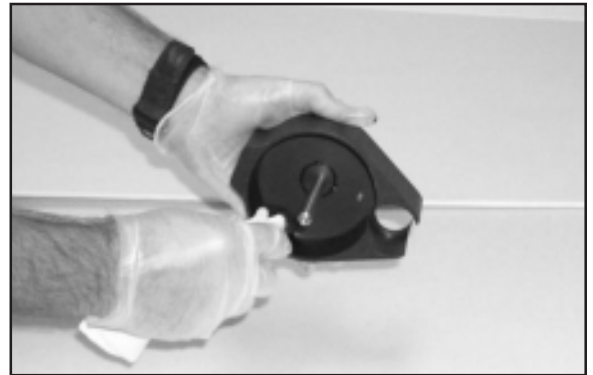


FIGURE 27

CLEANING THE TRANSFER ROLL

DO NOT SUBMERGE THE TRANSFER ROLL IN SOLVENT!

1 -To clean dust and ink residue from the surface of the transfer roll, first remove it from the coder. Lightly saturate a soft cotton cloth with the appropriate ink solvent and gently rub the surface of the roll until it is clean.

If the transfer roll is submerged in solvent, the bearings will be permanently damaged.



FIGURE 28

MAINTENANCE

CLEANING THE PRINTING DIES

All inks which are formulated for printing on non-porous surfaces contain a resin binder which bonds the dye or pigment in the ink to the surface of the material being printed. As the ink begins to dry, this binder becomes “tacky” or “sticky”. While in this stage of the drying process, the tack on the dies will tend to pick up both airborne dust and any dust or dirt on the surface of the material being printed. When this happens, the dies should be cleaned or replaced. The easiest method of cleaning the dies requires the appropriate solvent for the ink being used, a pair of rubber gloves, safety glasses, an apron to protect your clothing is recommended, a toothbrush, some clean paper towels and a plastic bag to protect your workbench from staining. (Naturally, the toothbrush will never be suitable for oral hygiene use after this process.)

After some period of use, the accumulation of contaminants on the dies will cause degradation of the print quality; cleaning the printing dies, excluding excessive wear to the die face, will restore the print quality of the coder.

1 - Place the contaminated Printing Die on top of several layers of paper towels to absorb the excess solvent. Pour just enough solvent on the face of the printing die to cover the die face.

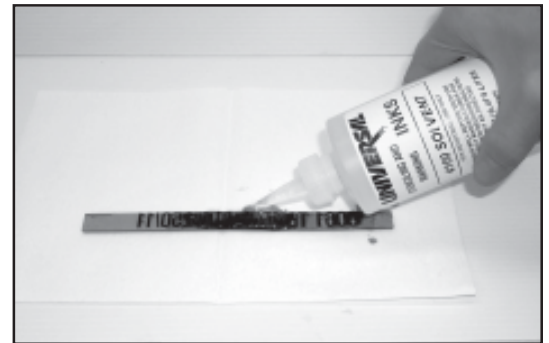


FIGURE 29

2 - Using the toothbrush, carefully scrub the face of the die to remove the contamination and old ink as shown in. Add more solvent as necessary and repeat the process until the die is clean.

Do not submerge or soak the dies in solvent as this may cause swelling of the rubber compound.



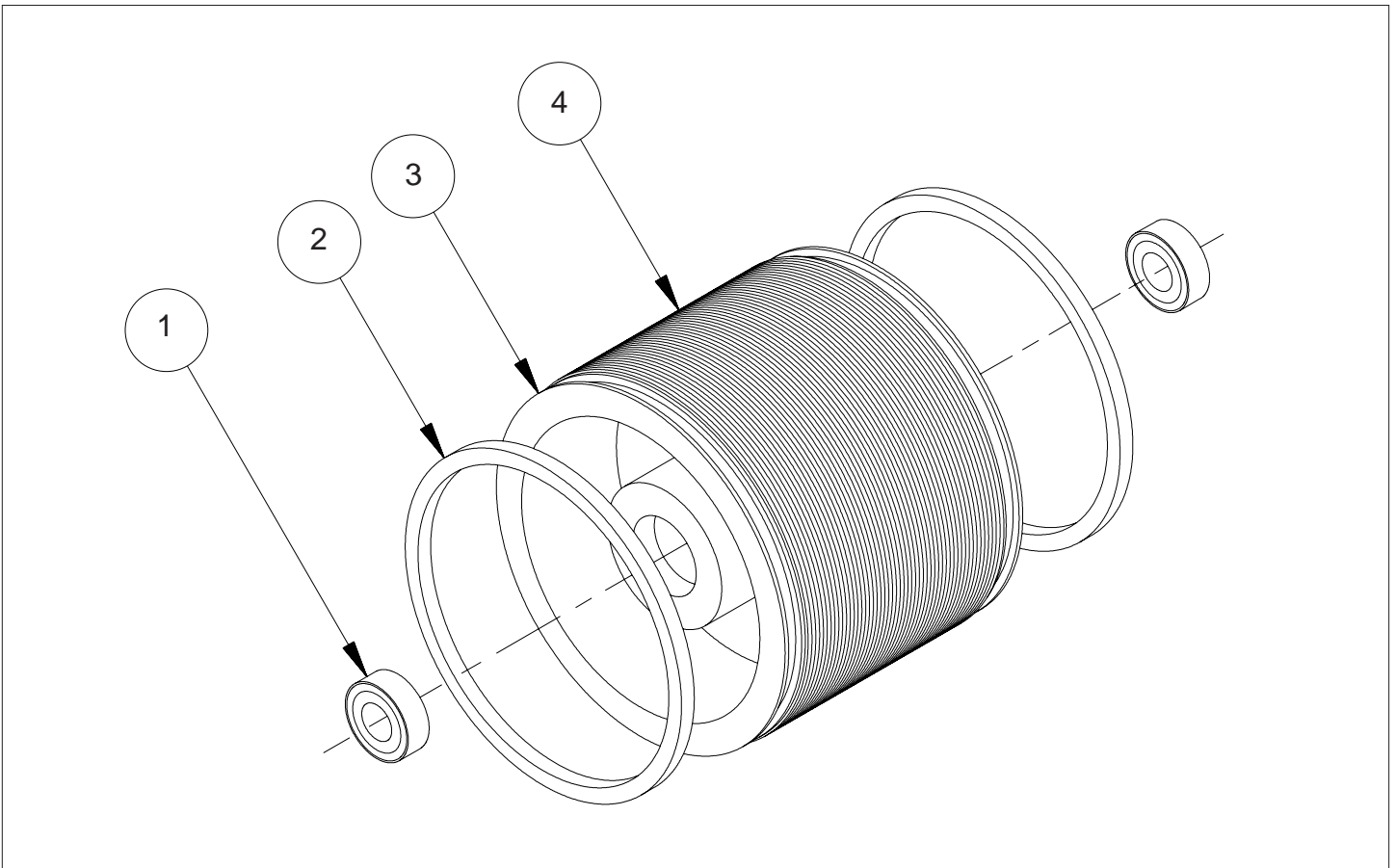
FIGURE 30

3 - Blot the surface of the die with a clean paper towel to dry and reinstall the clean dies on the coder.



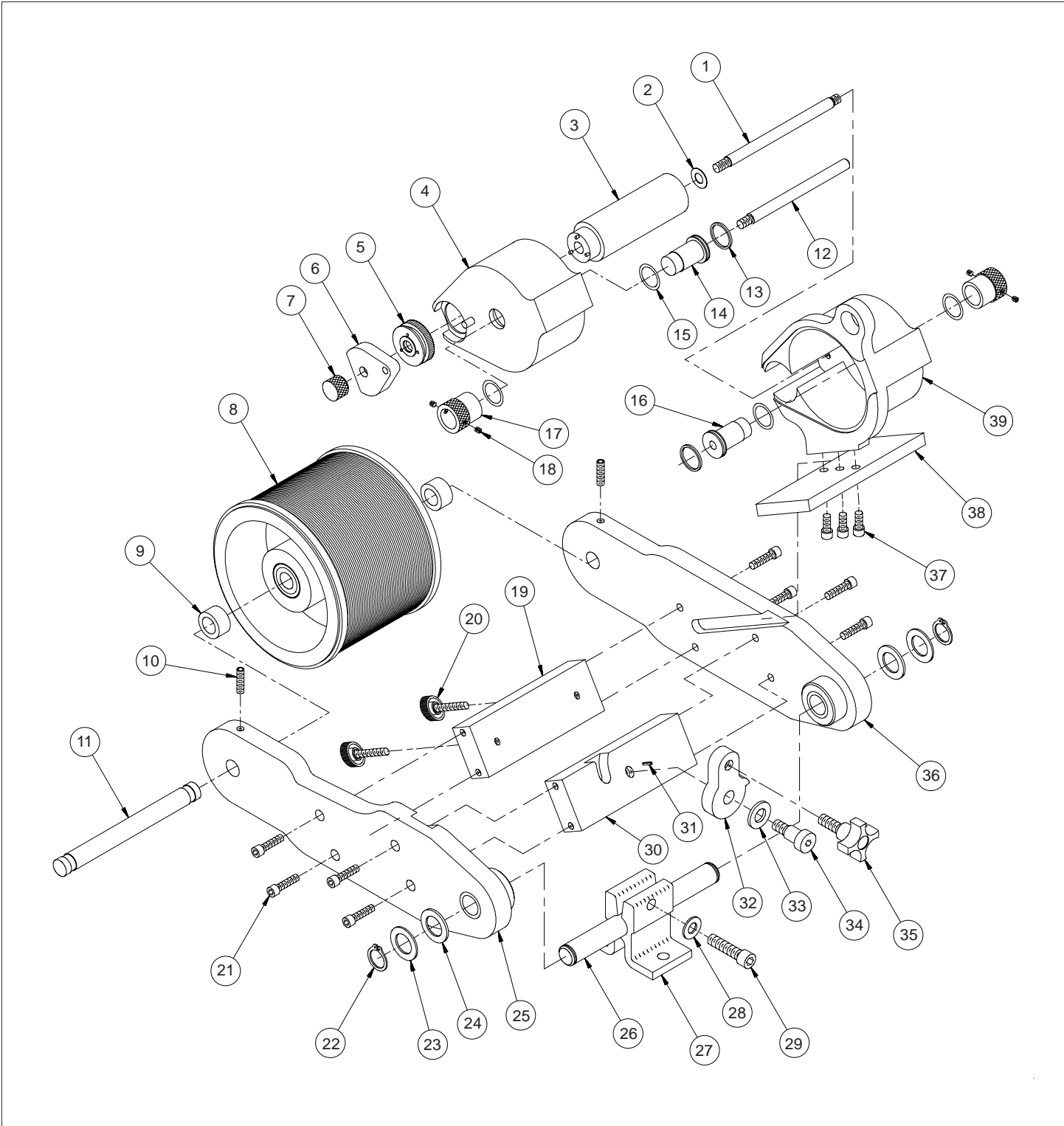
FIGURE 31

**WPNP-400NI -PDA & WPNP-400NI-PDA-T
NON-POROUS WEB PRINTER PRINT DRUM**



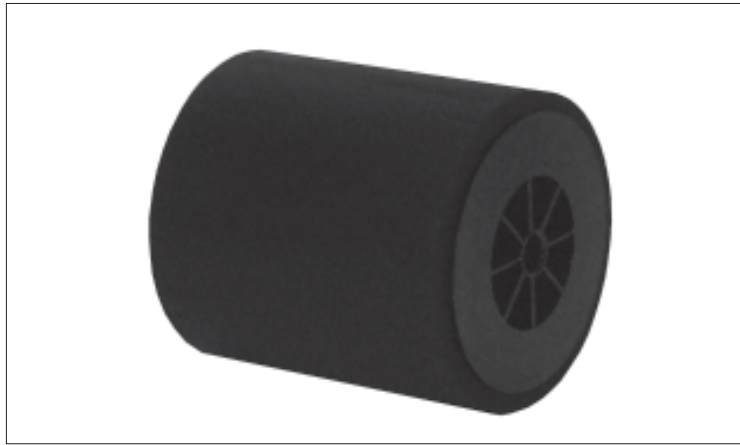
KEY NO.	PART NUMBER	QTY. REQD.	DESCRIPTION
1	CB-04	2	BEARING, PRINT DRUM
2	WPNP-024	2	RUBBER BEARER RING , PRINT DRUM (SQUARE CUT)
3	PRINT DRUMS ONLY AVAILABLE IN COMPLETE PRINT DRUM ASSEMBLIES. SEE PAGES 20 & 21 (KEY 8)		
4	WPNP-023	1	RIBtype® DRUM COVER - STANDARD
	WPNP-023T		RIBtype® DRUM COVER - METRIC

WPNP-400NI & WPNP-400NI-T NON-POROUS WEB PRINTER



KEY NO.	PART NUMBER	QTY. REQD.	DESCRIPTION
1	WPNP-009	1	4" TRANSFER ROLL AXLE
2	HP-04	1	3/8" BRASS, FLAT WASHER
3	WPNP-TRA-4	1	4" TRANSFER ROLL ASSEMBLY
4	WPNP-CA2	1	NP COVER ASSEMBLY
5	NP-14	1	KNURLED DRIVE WHEEL W/DEL RIN WASHER
6	WPNP-011	1	DRIVE WHEEL COVER
7	NP-17	1	COVER RETAINING KNOB
8	WPNP-400NI-PDA	1	PRINT DRUM ASSEMBLY - STANDARD
	WPNP-400NI-PDA-T		PRINT DRUM ASSEMBLY - METRIC
9	WPNP-022	2	PRINT DRUM DELRIN AXLE SPACER
10	WPNP-020	2	SET SCREW - 1/4-20 X 1.00" LG.
11	WPNP-021	1	4" PRINT DRUM AXLE
12	WPNP-038	1	4" INK ROLL AXLE
13	NP-21	2	O-RING, ECCENTRIC
14	NP-20C	1	ECCENTRIC, INK ROLL
15	HP-42	4	DEL RIN WASHER
16	WPNP-039	1	ECCENTRIC, INK ROLL (MODIFIED)
17	NP-19	2	ECCENTRIC KNURLED KNOB
18	HP-06	4	SET SCREW, 8-32 X 3/16"
19	WPNP-014	1	JOINING BAR "A"
20	WPNP-PAK	2	POSITION ADJUSTING KNOB
21	CR-13	8	SCREW, 1/4-20 X 1.0" SHC
22	CF-13	2	SNAP RING FOR 3/4" SHAFT
23	CW-01	2	3/4" STEEL FLAT WASHER
24	CW-05	2	3/4" NYLON FLAT WASHER
25	WPNP-SFA	1	SIDE FRAME "A"
26	WPNP-025	1	MOUNTING SHAFT
27	CM-17	1	BRACKET, MOUNTING COLUMN
28	CW-02	1	3/8" STEEL FLAT WASHER
29	CF-09	1	SCREW, 3/8-16 X 1-1/2" SHC
30	WPNP-015	1	JOINING BAR "B"
31	CR-16	1	COMPRESSION PIN
32	WPNP-016	1	PIVOT LOCK
33	WPNP-032	1	DEL RIN LATCH WASHER
34	WPNP-019	1	PIVOT LOCK SHOULDER SCREW
35	WPNP-LKA	1	LOCK KNOB ASSEMBLY
36	WPNP-SFB	1	SIDE FRAME "B"
37	MC-02	3	SCREW, 1/4-20 X 5/8" LG. SHC
38	WPNP-029	1	INKING SYSTEM MOUNTING PLATE
39	WPNP-040	1	NP COVER, STATIONARY

NON-POROUS WPNP WEB PRINTER REPLACEMENT INK ROLLS



DISPOSABLE TYPE MT INK ROLLS

PART NUMBER	DESCRIPTION
WPNP-MT4-P1	WPNP NON-POROUS WEB PRINTER MT ROLL - BLACK

Note: The MT Type Ink Rolls in additional colors are available by special order, with an 18 piece minimum. Extended lead time required.



RE-INKABLE - XF NEOPRENE INK ROLLS

Note: Ink rolls must be pre-inked before use, once the ink is depleted from the roll, the roll can be taken off the printer and re-inked for extended use. To determine the type of ink to use, please contact customer service.

PART NUMBER	DESCRIPTION
WPNP-XC4	4" - WPNP XF NEOPRENE INK ROLL - DRY
WPNP-XC4-P1	4" - WPNP XF NEOPRENE INK ROLL - BLACK
WPNP-XC4-P2	4" - WPNP XF NEOPRENE INK ROLL - RED
WPNP-XC4-P3	4" - WPNP XF NEOPRENE INK ROLL - GREEN
WPNP-XC4-P4	4" - WPNP XF NEOPRENE INK ROLL - BLUE
WPNP-XC4-P5	4" - WPNP XF NEOPRENE INK ROLL - YELLOW
WPNP-XC4-P6	4" - WPNP XF NEOPRENE INK ROLL - WHITE
WPNP-XC4-P9	4" - WPNP XF NEOPRENE INK ROLL - VIOLET

